

Manual EN

Handleiding NL

Manuel FR

Anleitung DE

Manual ES

Användarhandbok SE

Victron Ethernet Remote
VER

Copyrights © 2010 Victron Energy B.V.
All Rights Reserved

This publication or parts thereof may not be reproduced in any form, by any method, for any purpose.

For conditions of use and permission to use this manual for publication in other than the English language, contact Victron Energy B.V.

VICTRON ENERGY B.V. MAKES NO WARRANTY, EITHER EXPRESSED OR IMPLIED, INCLUDING BUT NOT LIMITED TO ANY IMPLIED WARRANTIES OF MERCHANTABILITY OR FITNESS FOR A PARTICULAR PURPOSE, REGARDING THESE VICTRON ENERGY PRODUCTS AND MAKES SUCH VICTRON ENERGY PRODUCTS AVAILABLE SOLELY ON AN "AS IS" BASIS.

IN NO EVENT SHALL VICTRON ENERGY B.V. BE LIABLE TO ANYONE FOR SPECIAL, COLLATERAL, INCIDENTAL, OR CONSEQUENTIAL DAMAGES IN CONNECTION WITH OR ARISING OUT OF PURCHASE OR USE OF THESE VICTRON ENERGY PRODUCTS. THE SOLE AND EXCLUSIVE LIABILITY TO VICTRON ENERGY B.V., REGARDLESS OF THE FORM OF ACTION, SHALL NOT EXCEED THE PURCHASE PRICE OF THE VICTRON ENERGY PRODUCTS DESCRIBED HERE IN.

Victron Energy B.V. reserves the right to revise and improve its products as it sees fit. This publication describes the state of this product at the time of its publication and may not reflect the product at all times in the future.

1. Introduction

1.1 Introduction to Victron Energy

Victron Energy has established an international reputation as a leading designer and manufacturer of energy systems. Our R&D department is the driving force behind this reputation. It is continually seeking new ways of incorporating the latest technology in our products. Each step forward results in value-added technical and economical features.

1.2 Introduction to Victron Remote Management

Victron Ethernet Remote (VER)

The Victron Ethernet Remote is a GSM/GPRS modem with several interfaces:

- A serial port to monitor either a VE.Bus product or a BMV Battery Monitor. Products with VE.Bus are for example our Multi inverter/chargers, Inverter's or Quattro's.
- An Ethernet port for remote monitoring via Internet/intranet (to central web server and as a standalone unit with embedded web server).
- The USB connection to PC for configuration.

Victron Remote Management (VRM)

Victron Remote Management is the name of a system which consists of a modem and a monitoring website.

To get a preview: please go to <https://vrm.victronenergy.com>, and login at "Victron Remote Management" via the Login menu on the upper right of the page.

Username: demo@victronenergy.com

Password: vrmdemo



2. Getting started

2.1 Package contents

The VER package should contain the following items:

	Victron Ethernet Remote
	Ethernet adapter
	Mounting bridles
	GSM Antenna
	Power supply cable with inline fuse
	MK2.2A
	Serial cable (DB-15 male to DB-9 male)
	USB Cable for configuring via the PC

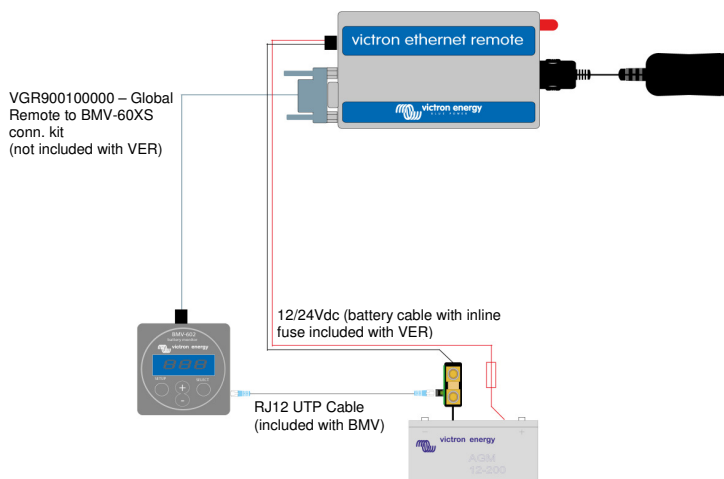
2.2 Optional accessories

- Network cable (UTP) to connect the modem to your network;
- SIM-card with PIN-security disabled;
- Global Remote to BMV-60XS conn. kit (VGR900100000).

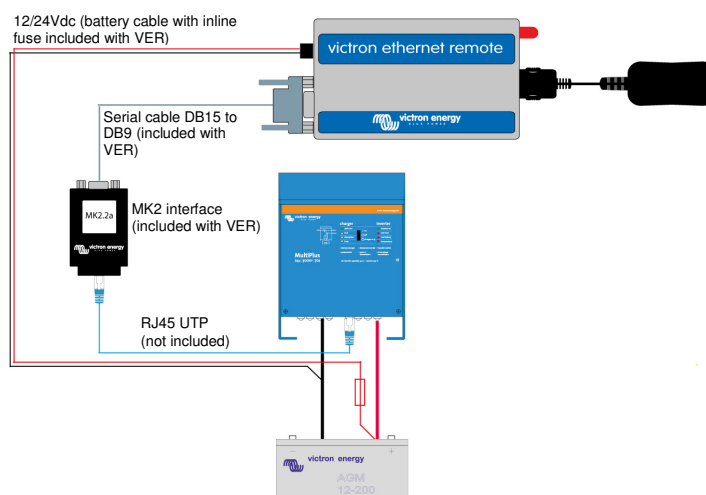
2.3 Installation

1. Write down the IMEI number.
Before mounting the modem, write down the IMEI number in the provided space on the back of this manual. This is a 15 digit number, and is used to identify your modem when setting up an account on the vrm website, <https://vrm.victronenergy.com>.
2. Attach the Ethernet adapter to the modem, and connect it to your switch or router.
3. Connect to VE.Bus or a BMV.
 - a. For VE.Bus, use the DB-15 male to DB-9 male cable, supplied with the modem. Connect the MK2.2A to the serial cable. Connect the other side of the MK2.2A to your VE.Bus system with a RJ45 UTP cable.
 - b. For BMV, connect the Global Remote to BMV-60xS connection cable between the BMV and the Ethernet Remote. This cable has to be purchased separately.
4. (optional) Insert sim-card and mount Antenna.
5. Use the supplied power cable to power the Victron Ethernet Remote. The allowed voltage range is 5.5 to 32VDC.
6. Check the power LED.
The power LED is red, and is located next to the sim-card slot. The LED should be lit permanently RED when you are not using a sim-card. When you are using a sim-card, it should blink, indicating that it is connected to a GSM network. For more explanations of the red LED, see chapter 5.1
7. Check the Ethernet LED.
These LEDs are located beside the USB socket. The link LED, green, should be on. The activity LED, yellow, blinks if there is activity in the ethernet segment.

Schematic of VER with BMV



Schematic of VER with VE.Bus



2.4 Configuration

For initial configuration, it is recommended to configure the device with the configuration software, VGR Configure. This software can be downloaded from our website.

1. Download, install and start the VGR Configure on your PC.
2. Connect the Ethernet Remote to your pc with supplied USB cable.
3. Open the first configuration screen, '*Change general settings*'.
4. Select the connected type of device in '*Monitored device*'.
5. Synchronize the Ethernet Remote clock with the PC Clock by pressing the corresponding button.
6. To apply the new values press *Save* button and wait until the Ethernet Remote comes up again after programming the new values.
7. Select *Change network settings* menu and in *Ethernet* tab configure/check the IP settings. Ask your network administrator for the correct configuration (if you plan using VER in standalone mode see Tip in 3.1).
8. Configure/check the SNMP settings in corresponding tab (if needed). See 3.2 for more details.
9. Select *Web interface* tab if you prefer to change the default values of HTTP credentials. See 3.1 for more details.
10. To apply the new values press the *Save* button and wait until VER comes up again after programming the new values.

3. Using the Victron Ethernet Remote

Information about your Victron system can be retrieved in four different ways:

- Stand alone mode (the embedded website).
- Web mode (Logging data to the Victron Remote Management website)
- SNMP (Simple Network Management Protocol)
- SMS text messages.

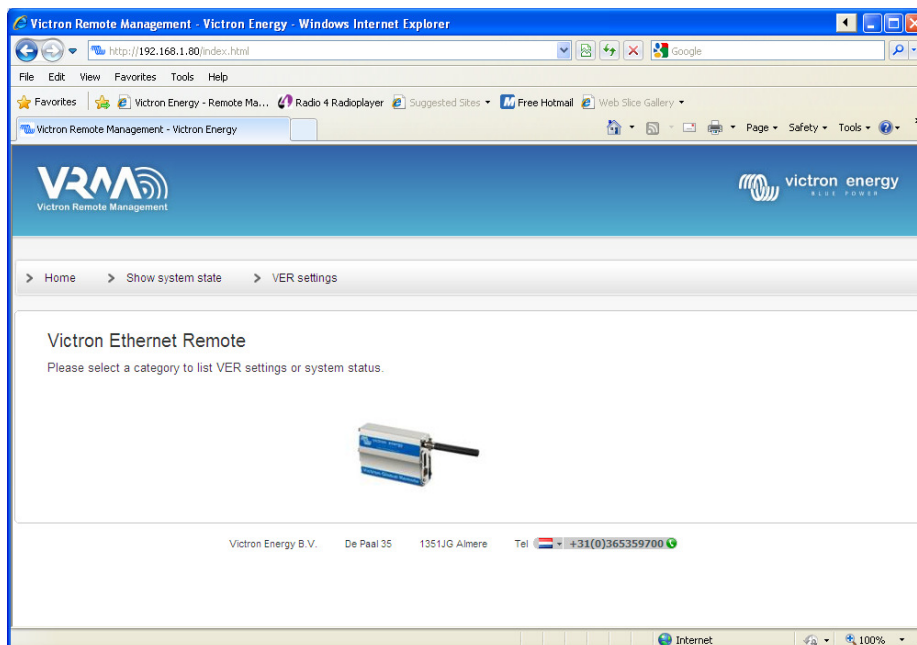
All ways can be used simultaneously. The standalone mode is always available. The Web mode requires an internet connection. The SMS mode is available when Ethernet Remote is registered in a GSM network.

3.1 Standalone mode

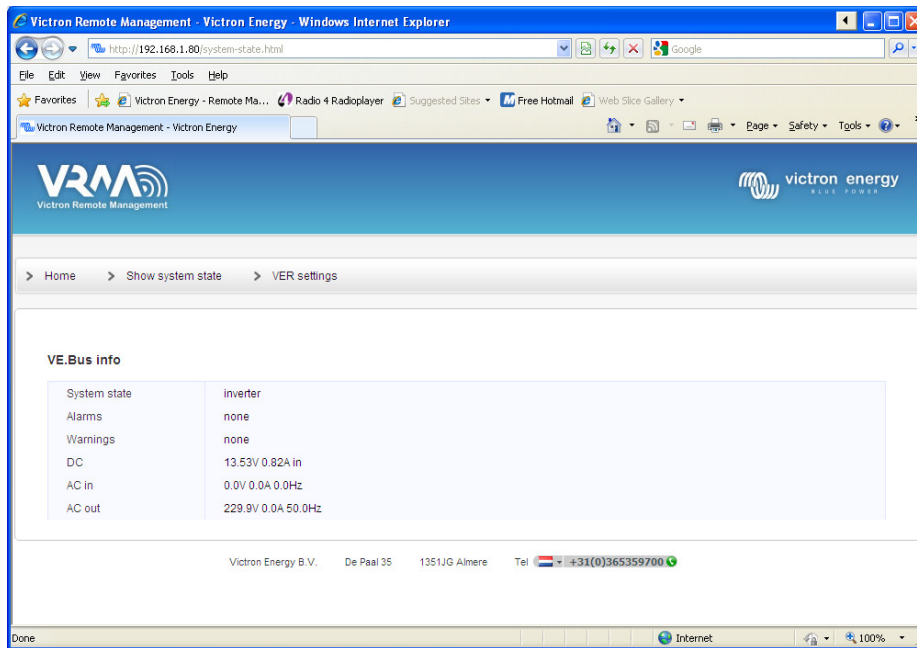
In this mode you are monitoring actual data on the via the web interface. No internet connection is necessary. By default, the IP settings are assigned automatically via DHCP protocol. The current IP settings can be seen with the VGR Configure software.

Tip: Ask your network administrator to configure DHCP server to always provide the same IP address for your VER. The Ethernet MAC address (6 hexadecimal bytes separated by colons) is located on the underside of the modem. Another options is to assign a static IP settings with the help of VGR Configure software.

Start a web browser on the PC, type the IP address of your VER in the browser's address field and the start VER page should appear. For example:



To monitor the connected to the VER devices click on **Show system state**. For example:



The screenshot shows the Victron Remote Management (VRM) web interface in a Windows Internet Explorer browser. The address bar shows the URL `http://192.168.1.80/system-state.html`. The page features the VRM logo and the Victron Energy logo. A breadcrumb trail indicates the current location: `Home > Show system state > VER settings`.

The main content area displays the **VE.Bus info** section, which contains a table with the following data:

System state	inverter
Alarms	none
Warnings	none
DC	13.53V 0.82A in
AC in	0.0V 0.0A 0.0Hz
AC out	229.9V 0.0A 50.0Hz

At the bottom of the page, contact information for Victron Energy B.V. is provided: `De Paal 35 1351JG Almere Tel +31(0)365359700`. The browser status bar at the bottom shows "Done" and "Internet" connectivity.

To display the current VER settings click on **VER settings**. For example:



Note: These pages are automatically refreshed every 5 minutes.

3.1.1 Changing VER settings with the Web interface.

To configure the VER go to VER Settings and press the corresponding *Update* button. You will be prompted to enter user name and password. The default user name is **admin** with password **victron_vrm**.

To change the default credentials use VGR Configure software. It is also possible to prohibit updating the VER settings via Web interface: choose *No authentication*.

Note: To configure static IP settings with the web interface, first enter the static IP address details, set 'obtain an IP automatically' to *off* and after that apply these settings by pressing *Update* button.

EN

NL

FR

DE

ES

SE

3.2 Web mode

By default, the Ethernet Remote tries to periodically log data to the central web site, <https://vrn.victronenergy.com>, so that it can be reviewed later. To do this, the Ethernet Remote needs to be able to access the internet via the local area network or the GPRS network.

To view this data, go to <https://vrn.victronenergy.com> and create an account. Once you have logged in, click on the “Add a site link” on the left, enter the serial number of your VER in the box provided, then click on the “Add site button”. Your device will now be listed at the top left of the page. You will probably want to change the device description to something more meaningful.

Tip: You can add multiple devices under the same account.

Click on the device description in the top left to view the data.

Note: Ask your network administrator if you need a HTTP proxy server to access the web sites in Internet. In such case, you have to configure the HTTP proxy server with the help of VGR Configure tool.

3.3 SNMP

SNMP (Simple Network Management Protocol) is enabled by default. SNMPv1 and SNMPv2c are supported. System MIB (RFC1213) and UPS MIB (RFC1628) are supported.

UPS MIB supports

1. Device identification group
2. Battery group
3. Input group
4. Output group
5. Alarm group
6. Configuration group – upsConfigLowBattTime only
7. Notifications (e.g. traps)

All essential information concerning UPS MIB is available when VER is connected to VE Bus system. One may get that information using any available SNMP Management Software (i.e. MIB Browser).

Initial configuration of SNMP-related parameters should be done using VGR Configure software.

System MIB and UPS MIB variables described below could be set also using standard SNMP set operation. All the settings are stored in flash and preserved after reboot.

3.3.1 SNMP community strings

Configure read-only and read-write **Community** strings.

1. **RO Community** string is used for read-only access. The default value is *public*.
2. **RW Community** string is used for read-write access. The default value is *private*.

Community strings should be the same as for MIB browser you are using.

Community strings should be of printable characters and of the length less or equal 32.

3.3.2 System MIB variables

Configure **sysContact**, **sysName** and **sysLocation** variables.

1. **sysContact** : Identification of the contact person. For example: Dave Hum dave@hum.com. The default value is empty string.
2. **sysName** : domain name. For example: *UPS#1.almere.victronenergy.com*. The default value is empty string.
3. **sysLocation** : Physical location. For example: *Almere-Haven office, 2-nd floor*. The default value is empty string.

Please refer to rfc1213 for the full description of the variables.

3.3.3 UPS MIB variables

Configure **upsIdentName**, **upsIdentAttachedDevices** and **upsConfigLowBattTime** variables.

1. **upsIdentName** : string identifying UPS. For example: *UPS with a red label*. The default value is empty string.
2. **upsIdentAttachedDevices**: devices attached. For example: *Fun, Fridge*. The default value is empty string.
3. **upsConfigLowBattTime** : an estimated minutes remaining at which a 'Low Battery' condition is declared. This value should depend on the system purposes and be set individually. The default value for **upsConfigLowBattTime** is 0.

Please refer to rfc1628 for the full description of the variables.

3.3.4 Traps

Traps are used to notify the SNMP Management Software about significant changes in the system, i.e. connection to VE Bus system is lost, system is not running, different alarms have happened like 'Battery is low', or 'Battery is depleted' or 'Input is bad', system state is changed like 'System on battery' or 'System Off'.

Use any available SNMP tool to receive traps.

Configure the following traps parameters.

1. **Trap Community** string. It should be the same as for trap listener. The default value for **Trap Community** is *public*. **Trap Community** should be of printable characters and of length less or equal 32.
2. **Trap Destination IP** – the IP address of your PC where trap listener is running. By default no **Trap Destinations** are configured.
3. **Trap Destination Port** – the UDP port in your PC where trap listener is running on. The default value for the **Trap Destination Port** is 162.

3.4 SMS (optional)

The SMS mode is available if SIM card is installed and the Ethernet Remote is registered on a GSM network.

SMS mode is used by sending commands from a mobile phone, or other compatible devices, using SMS (Short Message Service), also known as text messages. For information on how to send an SMS, refer to the manual of your mobile phone.

With a text message you can request the Ethernet Remote for the current status of the attached VE.Bus device or BMV. Text messages can also be used to configure the Ethernet Remote.

In addition to sending information on request, the VER can be configured to automatically send out an alert when certain events occur.

Notes on the SMS messages:

- Commands are not case sensitive, so it does not matter which combination of upper or lower case letters are used. However, some parameters (such as passwords) may be.
- Multiple commands can be specified in a single message. Multiple parameters can be specified for a single command.
- The number of SMS messages the modem sends per day is limited. The default is set to 100 messages. This setting can be changed by an SMS command 'sms limit'.
- When processing SMS commands, the modem will stop as soon as it encounters an error in the command format. If valid commands have already been found, they will be executed as normal, and the reply will indicate where the error was found. However, if the message did not contain any valid commands, no reply will be sent (this is to prevent large bills caused by the modem replying to automated messages from, for example, telemarketers). If it is necessary for the modem to reply (in order to determine why the command is not being processed), begin the message with *forcereply*).

3.4.1 Examples

To request the status of the VE.Bus system, send

```
vebus
```

The VER will then reply with the status of the VE.Bus system:

```
System state: inverter
Alarms: none
Warnings: none
DC: 26.51V 9.02A
AC in: 0V 0.0A 0Hz
AC out: 229.8V 0.9A 50.0Hz
```

To request the status of an attached BMV, send:

```
battery
```

The Ethernet Remote will reply with the current status:

```
Battery: 26.51V, -0,15A
Level 99%, 0Ah
TTG: 240h
```

To change the logging period, send log with the new period, an example setting the period to 2 minutes:

```
log period 2
```

The Ethernet Remote will reply with the new setting and the last log:

```
LOG
Period: 2min
Extra: off
Last log: 1 minutes and 53 seconds ago
```

3.4.2 SMS commands overview

Command	Parameter	Argument	Description
alert			Requests the current alert configuration.
alert	on		Enables alerts, and sets the alert number to the number of the device that sent the message (up to 5 distinct numbers could be specified)
alert	off		Disables alerts for number.
alert	state	on	Starting from release 2.02. Enables reporting system state changes (on battery/AC input power on); This will work if alerts are on.
alert	state	off	Starting from release 2.02. Disables reporting system state changes (on battery/AC input power on). This is a default setting.
battery			Requests information about the battery.
gsm			Requests information about the GSM network connection, including the signal strength.
ip	eth		Requests current IP settings for Ethernet
ip	eth dhcp	on	Enables automatic IP Configuration via DHCP
ip	eth dhcp	off	Disables automatic IP Configuration via DHCP
ip	eth addr	<value>	Sets the static IP address
ip	eth mask	<value>	Sets the subnet mask
ip	eth gw	<value>	Sets the default gateway
ip	eth dns1	<value>	Sets the primary DNS server
ip	eth dns2	<value>	Sets the secondary DNS server
log			Requests the current logging period for web mode.
log	period	<period>	Sets the logging period for web mode (in minutes).
log	extra	on	Starting from release 2.02. Enables sending more data to logging webserver when alarm/warning in VE.Bus system occurs.
log	extra	off	Starting from release 2.02. Disables sending more data to logging webserver when alarm/warning in VE.Bus system occurs. This is the default setting.
sms			Request the amount of SMS messages sent and the limit.
sms	limit	<limit>	Sets the maximum SMS messages per day to value.
sms	reset		Resets the counter to zero to allow responses again.
vebus			Requests information about the VE.Bus system.
vgr			Requests information about the version of the VER.

4. Remote VEConfigure

All Inverters, Multi inverter/chargers and Quattro's that can be configured with our VEConfigureII software can also be configured remotely with a VGR and a VER.

For the detailed procedure refer to the Remote VEConfigure manual on our website, www.victronenergy.com. To find the document, use the keyword "remote VEConfigure" in the search box on the upper right.

Note that the procedure requires sms text messages and a correctly configured GPRS or Ethernet connection. When using a Victron Ethernet Remote you will need to have a simcard in the modem as well as the Ethernet connection.

EN

NL

FR

DE

ES

SE

5. Troubleshooting

5.1 LED codes

Modem Status (red LED)	Explanation
Off	No power to the modem
Steady on	Modem is powered but not connected to the GSM network
Blinking slowly	Connected to the network, and idle
Blinking rapidly	Connected to the network, call in progress

Ethernet Link Status (green LED)	Explanation
Off	No link detected. Check the cable connection.
On	Link is detected. Note: Ethernet is 10 Mbit/s

Ethernet Link Activity (yellow LED)	Explanation
Off	No activity in Ethernet segment
Blinking	Activity in Ethernet segment

5.2 Common problems

Problem: The modem will not connect to the GSM network

Possible causes:

- PIN security is still enabled on the SIM. Check this by putting the SIM in a normal phone and turn it on. When turning the phone on, it should **not** ask for a pin code, not even 0000. Solution: turn the security off.

- No network reception, try moving the modem around or use a different antenna. Try powering the modem at a location where you have full reception on a normal GSM phone. You can test this without the Multi or BMV-602 connected.

- The SIM slot on modem is not correctly closed: make sure that you close the black slide over the SIM.

Problem: I get an SMS saying "Warning MK2 version [version number] not supported".

Cause: The minimum supported MK2 version is 1130125. Please use the MK2 that was supplied with the Ethernet Remote. You can also connect the MK2 to a computer running the latest version of VEConfigure, which will then update it automatically.

Problem: I get an SMS saying "Warning target version [version number] not supported".

Cause: The minimum supported version of the VE.Bus device is 19xx111.

Problem: The VE.Bus device (Multi/Inverter/Quattro) switches off when I connect it to the MK2.

Cause: The MK2 needs to have the two jumpers removed. Please note: these jumpers are already removed on the MK2 supplied with the Victron Ethernet Remote.

6. Specifications

Victron Ethernet Remote	
Power supply voltage range	5.5 to 32VDC
Current draw (max)	0.48A @ 5.5VDC
Operating temp. Range	-30C to 75C
ENCLOSURE	
Measurements	73 x 54.5 x 25.5
Weight	89 grams
LAN	
Supported standards	IEEE 802.3, 10Base-T
Connector type	Shielded RJ-45
USB	
Supported standard	USB 2.0
Connector type	Mini-B

EN

NL

FR

DE

ES

SE

1. Introductie

1.1 Introductie Victron Energy

Victron Energy staat internationaal bekend als wereldleider op het gebied van energie systemen. Onze R&D afdeling is de drijvende kracht achter deze reputatie. Zij is constant opzoek naar mogelijkheden om de nieuwste technologie in onze producten te integreren. Elke stap resulteert in toepassingen met toegevoegde technologische en economische waarde.

1.2 Introductie Victron Remote Management

Victron Ethernet Remote (VER)

De Victron Ethernet Remote is een GSM/GPRS modem met verschillende interfaces:

- Een seriële poort om een BMV Accu Monitor of VE.Bus product te monitoren. Producten met VE.Bus zijn bijvoorbeeld onze Multi Omvormer/Laders, Omvormers en Quattro's.
- Een Ethernet poort voor het op afstand monitoren via internet/intranet (naar een centrale web server en als stand-alone unit met geïntegreerde web server).
- Een USB verbinding om een PC te verbinden voor configuratie doeleinden.

Victron Remote Management (VRM)

Victron Remote Management is de naam van het systeem dat bestaat uit een modem en een monitoring website.

Om een idee te krijgen: ga naar <https://vrm.victronenergy.com>, en login bij "Victron Remote Management" via het Login menu rechtsboven op de pagina.

Gebruikersnaam: demo@victronenergy.com

Wachtwoord: vrmdemo

2. Aan de slag

2.1 Inhoud van de verpakking

De VER verpakking dient de volgende onderdelen te bevatten:

	Victron Ethernet Remote
	Ethernet adapter
	Montage beugels
	GSM Antenne
	Voedingskabel met zekeringhouder
	MK2.2A
	Seriële kabel (DB-15 male naar DB-9 male)
	USB Kabel voor configuratie via een PC

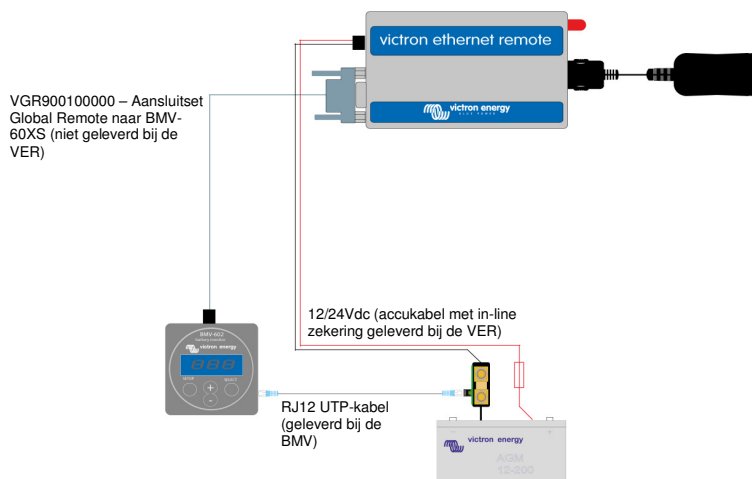
2.2 Optionele accessoires

- Netwerk kabel (UTP) om de modem te verbinden met uw netwerk;
- SIM-kaart met PIN-beveiliging uitgeschakeld;
- Global Remote naar BMV-60XS connection kit (VGR900100000).

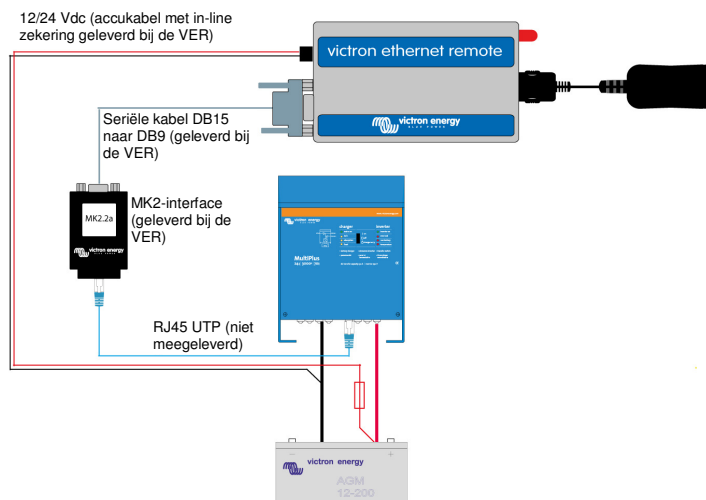
2.3 Installatie

- Schrijf het IMEI nummer op.
Voordat u de modem monteert dient u het IMEI nummer op te schrijven in het daarvoor bestemde vak op de achterkant van deze handleiding. Dit is een 15-cijferig nummer welke gebruikt wordt om uw modem te identificeren wanneer u uw account aanmaakt op de VRM website (<https://vrm.victronenergy.com>).
- Koppel de Ethernet adapter aan de modem, en verbind hem met uw switch of router.
- Verbinden met VE.Bus of een BMV.
 - Gebruik voor de VE.Bus de kabel DB15 male naar DB9 male, die bij de modem is geleverd. Sluit de MK2.2A aan op de seriële kabel. Verbind de MK2.2A met de seriële kabel. Verbind de andere kant van de MK2.2A met uw VE.Bus systeem door middel van een RJ45 UTP kabel.
 - Voor BMV, verbind de Global Remote naar BMV-60xS verbindingkabel tussen de BMV en de Ethernet Remote. Deze kabel wordt apart verkocht.
- (optioneel) Plaats de SIM-kaart en koppel de antenne.
- Gebruik de meegeleverde voedingskabel om de Victron Ethernet Remote te voeden. Het toegestane spanningsbereik is 5.5 tot 32VDC.
- Controleer de power LED.
De power LED is rood, en is gelegen naast het SIM-kaart slot. De LED zou permanent rood licht moeten afgeven wanneer u geen SIM-kaart gebruikt. Wanneer u wel een SIM-kaart gebruikt, zou de LED moeten knipperen. Dit geeft aan dat er verbinding is met een GSM netwerk. Voor meer uitleg over de rode LED, Zie hoofdstuk 5.1
- Controleer de Ethernet LEDs.
Deze LEDs zijn gelegen naast de USB socket. De link-Led, groen, dient te branden. De activiteits-LED, geel, knippert als er activiteit is in het ethernet segment.

Schema van VER met BMV



Schema van VER met VE.BUS



2.4 Configuratie

Het wordt u aangeraden om het apparaat te configureren met de configuratie software: VGR Configure. Deze software kunt u downloaden op onze website (www.victronenergy.com).

1. Download, installeer en start de VGR Configure op uw PC.
2. Verbind de Ethernet Remote met uw PC middels de meegeleverde USB kabel.
3. Open het eerste configuratie scherm '*Change general settings*'.
4. Selecteer het verbonden type apparaat in '*Monitored device*'.
5. Synchroniseer de Ethernet Remote tijd met de PC tijd door op de betreffende knop te klikken.
6. Om nieuwe waarden in te stellen, klik op de '*Save*' knop en wacht totdat de Ethernet Remote weer verschijnt nadat de nieuwe waarden geprogrammeerd zijn.
7. Selecteer het '*Change network settings*' menu en controleer de IP settings in de '*Ethernet*' tab. Vraag uw netwerk administrator voor de juiste configuratie (indien u VER wilt gebruiken in stand-alone modus, zie Tip in 3.1)
8. Configureer/controleer de SNMP settings in de overeenkomende tab (indien nodig). Zie 3.2 voor meer details.
9. Selecteer de *Web interface* tab als u de waarden van de HTTP credentials wilt veranderen. Zie 3.1 voor meer details.
10. Om de nieuwe waarden in te stellen, druk op de '*Save*' knop en wacht totdat de VER weer verschijnt nadat de nieuwe waarden geprogrammeerd zijn.

3. De Victron Ethernet Remote gebruiken

Informatie over uw Victron systeem kan op vier verschillende manieren opgehaald worden:

- Stand-alone modus (de geïntegreerde website).
- Web-modus (het loggen van data naar de Victron Remote Management website)
- SNMP (Simple Network Management Protocol)
- SMS tekst berichten.

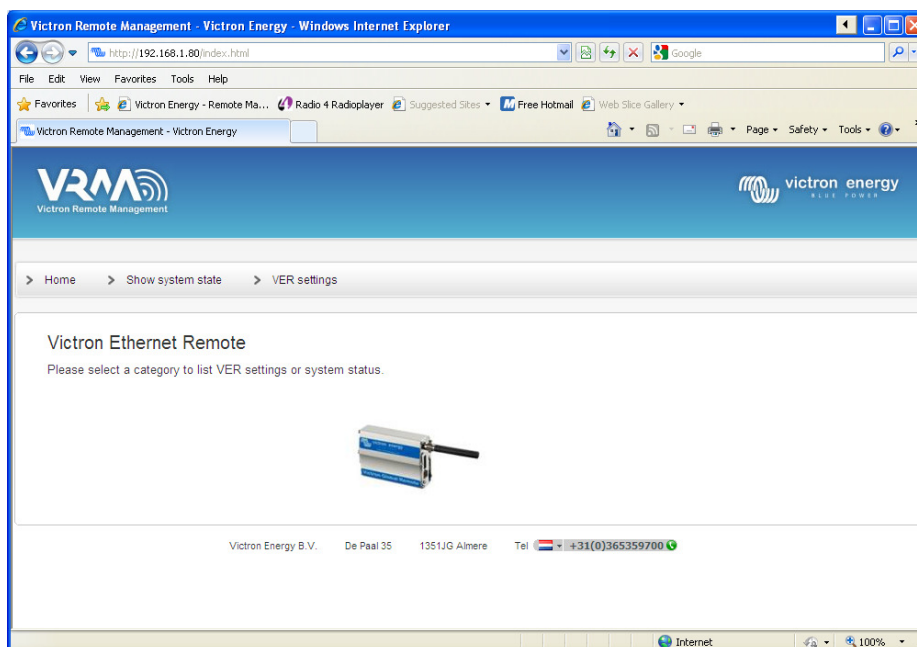
U kunt alle manieren gelijktijdig gebruiken. De stand-alone modus is altijd beschikbaar. De web-modus vereist een internet verbinding. De SMS modus is beschikbaar wanneer uw Ethernet Remote is geregistreerd bij een GSM netwerk.

3.1 Stand-alone modus

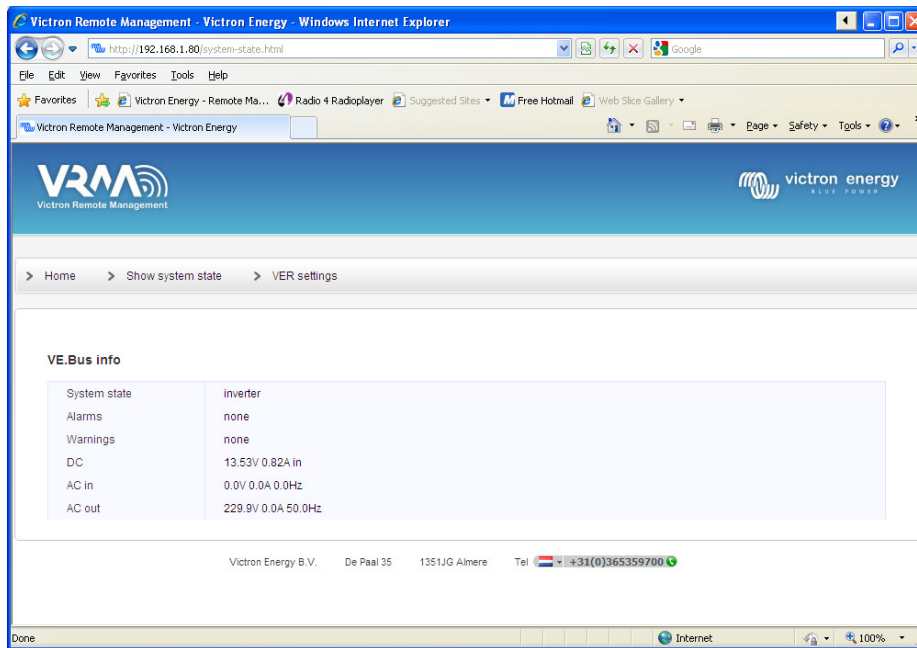
In deze modus monitort u actuele data via de web-interface. Er is geen internet verbinding vereist. De IP instellingen zijn automatisch toegewezen via het DHCP protocol. U kunt de huidige IP instellingen zien met de VGR Configure software.

Tip: Vraag uw netwerk administrator om de DHCP server zodanig te configureren dat het altijd uw VER voorziet van hetzelfde IP adres. Het Ethernet MAC adres (6 hexadecimaal bytes gescheiden door dubbele punten) staat op de onderkant van de modem. Nog een optie is om gebruik te maken van statische IP instellingen, middels de VGR Configure software.

Start een web browser op uw PC, typ het IP adres van uw VER in het adres veld van uw browser in en de start VER pagina verschijnt. Bijvoorbeeld:



Om de apparaten die verbonden zijn met uw VER te monitoren, klik op **Show system state**. Bijvoorbeeld:



The screenshot shows a web browser window displaying the Victron Remote Management (VRM) interface. The browser's address bar shows the URL `http://192.168.1.80/system-state.html`. The page features the VRM logo and the Victron Energy logo. A breadcrumb trail indicates the current location: `Home > Show system state > VER settings`.

The main content area is titled "VE.Bus info" and contains a table with the following data:

System state	inverter
Alarms	none
Warnings	none
DC	13.53V 0.82A in
AC in	0.0V 0.0A 0.0Hz
AC out	229.9V 0.0A 50.0Hz

At the bottom of the page, contact information for Victron Energy B.V. is provided: De Paal 35, 1351JG Almere, Tel: +31(0)365359700.

Om de huidige VER instellingen weer te geven, klik op **VER settings**. Bijvoorbeeld:



Opmerking: Deze pagina's worden automatisch iedere vijf minuten opnieuw geladen.

3.1.1 VER instellingen veranderen met de Web-interface.

Om de VER te configureren, ga naar 'VER settings' en klik op de 'Update' knop. Er wordt nu gevraagd om een gebruikersnaam en wachtwoord. De standaard gebruikersnaam is **admin** en het wachtwoord is **victron_vrm**.

Gebruik de VGR Configure software om de standaarden te veranderen. Het is ook mogelijk om het updaten van de VER instellingen via de Web-interface te verbieden: kies 'No authentication'.

Opmerking: Om de statische IP instellingen te configureren middels de Web-interface, vul de statische IP adres details in, stel 'obtain an IP automatically' in op 'off' en klik daarna op de 'Update' knop.

EN

NL

FR

DE

ES

SE

3.2 Web modus

De Ethernet Remote probeert periodiek data te loggen naar de centrale website, <https://vrm.victronenergy.com>, zodat het op een later moment bekeken kan worden. Om dit te doen, moet de Ethernet Remote verbinding hebben met een LAN of een GPRS netwerk.

Om de data te bekijken, ga naar <https://vrm.victronenergy.com> en maak een account aan. Zodra u bent ingelogd, klik op de 'Add a site link' aan de linkerkant, vul het serienummer van uw VER in en klik op de 'Add site' knop. Uw apparaat wordt nu weergegeven in de linkerbovenhoek van de pagina. U kunt de omschrijving van het apparaat veranderen.

Tip: U kunt meerdere apparaten toevoegen op hetzelfde account.

Klik op de apparaat beschrijving linksboven om de data te bekijken.

Opmerking: Vraag uw netwerk administrator of u een HTTP proxy server nodig heeft om toegang te krijgen tot de website. In dit geval, dient u de HTTP proxy server te configureren met behulp van de VGR Configure tool.

3.3 SNMP

SNMP (Simple Network Management Protocol) is standaard geactiveerd. SNMPv1 en SNMPv2c worden ondersteund. Dit geldt ook voor System MIB (RFC1213) en UPS MIB (RFC1628).

UPS MIB ondersteunt:

1. Apparaat identificatie groep
2. Accu groep
3. Input groep
4. Output groep
5. Alarm groep
6. Configuratie groep – alleen upsConfigLowBattTime
7. Meldingen (bijv. SNMP traps)

Alle essentiële informatie met betrekking tot UPS MIB is beschikbaar wanneer de VER verbonden is met een VE.Bus systeem. U kunt deze informatie verkrijgen door middel van beschikbare SNMP Management Software (zoals MIB Browser).

De eerste configuratie van SNMP-gerelateerde parameters dient uitgevoerd te worden met behulp van de VGR Configure software. System MIB en UPS MIB variabelen, die hieronder beschreven staan, kunnen ook ingesteld worden door middel van SNMP 'set operation'. Alle instellingen zijn opgeslagen in flash en bewaard na een herstart.

3.3.1 SNMP community strings

Configureer alleen-lezen en lees-schrijf **Community** strings.

1. **RO Community** string wordt gebruikt voor alleen-lezen toegang. De standaard waarde is *public*.
2. **RW Community** string wordt gebruikt voor lees-schrijf toegang. De standaard waarde is *private*.

Community strings dienen hetzelfde te zijn als voor de MIB browser die u gebruikt.

Community strings dienen printbare tekens te zijn met een lengte van minder dan of gelijk aan 32.

3.1.2 System MIB variabelen

Configureer de **sysContact**, **sysName** en **sysLocation** variabelen.

4. **sysContact** : Identificatie van de contactpersoon. Bijvoorbeeld: Dave Hum dave@hum.com. De standaard waarde is lege string.
5. **sysName** : domeinnaam. Bijvoorbeeld: *UPS#1.almere.victronenergy.com*. De standaard waarde is lege string.
6. **sysLocation** : Fysieke locatie. Bijvoorbeeld: *Almere-Haven office, 2-nd floor*. De standaard waarde is lege string.

Zie rfc1213 voor de volledige omschrijving van de variabelen.

3.1.3 UPS MIB variabelen

Configureer de **upsidentName**, **upsidentAttachedDevices** en **upsConfigLowBattTime** variabelen.

4. **upsidentName** : string die de UPS identificeert. Bijvoorbeeld: *UPS met een rood label*. De standaard waarde is lege string.
5. **upsidentAttachedDevices**: gekoppelde apparaten. Bijvoorbeeld: *Plezier, Koelkast*. De standaard waarde is lege string.
6. **upsConfigLowBattTime** : een naar schatting aantal resterende minuten wanneer de 'Low Battery' toestand verklaard wordt. Deze waarde dient afhankelijk te zijn van de systeem doeleinden en dienen individueel ingesteld te worden. De standaard waarde voor **upsConfigLowBattTime** is 0.

Zie rfc1628 voor de volledige omschrijving van de variabelen.

3.1.4 Traps

Traps worden gebruikt om de SNMP Management software op de hoogte te stellen van significante veranderingen binnen het systeem. Zoals verbinding met het VE.Bus systeem verbroken, systeem loopt niet, verschillende alarmen zoals 'Accu bijna leeg', 'Accu leeg' of 'Input werkt niet goed', 'Systeem op accu' of 'Systeem uit'.

Gebruik een beschikbare SNMP tool om traps te ontvangen.

Configureer de volgende traps parameters:

3. **Trap Community** string. Dient hetzelfde te zijn als voor de trap luisteraar. De standaard waarde voor **Trap Community** is *public*. **Trap Community** dient te bestaan uit printbare tekens met een lengte van minder dan of gelijk aan 32.
4. **Trap Destination IP** – het IP adres van uw PC waar de trap luisteraar loopt. Er zijn standaard geen **Trap Destinations** geconfigureerd.
5. **Trap Destination Port** – de UDP poort in uw PC waar de trap luisteraar op is aangesloten. De standaard waarde voor de **Trap Destination Port** is 162.

3.4 SMS (optioneel)

De SMS modus is beschikbaar als er een SIM-kaart is geïnstalleerd en de Ethernet Remote is geregistreerd bij een GSM netwerk.

SMS modus wordt gebruikt door het versturen van instructies via SMS vanaf een mobiele telefoon of andere compatibele apparaten. Voor informatie over hoe u een SMS kunt versturen, zie de handleiding van uw mobiele telefoon.

Met een SMS kunt u de Ethernet Remote vragen om de huidige status van het verbonden VE.Bus apparaat of BMV naar u te versturen. SMS berichten kunnen ook gebruikt worden om de Ethernet Remote te configureren.

Naast het op aanvraag versturen van informatie, kan de VER ook zodanig geconfigureerd worden dat er automatisch alarmen worden verstuurd als er een voorval plaatsvindt.

Opmerkingen over de SMS berichten:

- Instructies zijn niet hoofdlettergevoelig. Dus het maakt niet uit welke combinatie van kleine en grote letters u gebruikt. Sommige parameters (zoals wachtwoorden) daarentegen zijn wel hoofdlettergevoelig.
- Er kunnen meerdere instructies in een bericht geplaatst worden. Meerdere parameters kunnen gespecificeerd worden voor een enkele instructie.
- Het aantal SMS berichten dat de modem per dag verstuurd is gelimiteerd. De standaard instelling staat op 100 berichten. Dit kunt u veranderen door middel van de SMS instructie 'sms limit'.
- Wanneer de modem instructies verwerkt, stopt hij zodra hij een fout in de instructie tegenkomt. Als valide instructies al gevonden zijn, worden deze zoals gebruikelijk verwerkt. Het antwoord van de modem geeft aan waar de fout is gevonden. Maar als het er geen valide instructies in het bericht zijn gevonden antwoordt de modem niet (om hoge rekeningen te voorkomen die veroorzaakt worden door bijvoorbeeld de modem die antwoord geeft op berichten van telemarketers). Indien u het noodzakelijk acht dat de modem antwoordt (om er achter te komen waarom uw instructie niet verwerkt wordt), begin het bericht met *forcereply*.

3.4.1 Voorbeelden

Om de status van uw VE.Bus systeem op te vragen, stuur:

```
vebus
```

De VER zal dan antwoorden met de huidige status van uw VE.Bus systeem:

```
System state: inverter  
Alarms: none  
Warnings: none  
DC: 26.51V 9.02A  
AC in: 0V 0.0A 0Hz  
AC out: 229.8V 0.9A 50.0Hz
```

Om de status van een verbonden BMV op te vragen, stuur:

```
battery
```

De Ethernet Remote zal dan antwoorden met de huidige status:

```
Battery: 26.51V, -0,15A  
Level 99%, 0Ah  
TTG: 240h
```

Om de log-periodes te veranderen, stuur 'log' met de nieuwe periode. Een voorbeeld waar we de periode instellen op 2 minuten:

```
log period 2
```

De Ethernet Remote zal dan antwoorden met de nieuwe instelling en het laatste log:

```
LOG  
Period: 2min  
Extra: off  
Last log: 1 minutes and 53 seconds ago
```

EN

NL

FR

DE

ES

SE

3.4.2 SMS-instructie overzicht

Instructie	Parameter	Argument	Omschrijving
alert			Verzoekt de huidige alarm configuratie.
alert	on		Schakelt alarmeren in, en stelt het alarm nummer in op het nummer van het apparaat dat het alarm verzonden heeft (tot en met 5 aparte nummers kunnen gespecificeerd worden).
alert	off		Schakelt alarmeren voor nummer uit.
alert	state	on	Vanaf versie 2.02. Schakelt het rapporteren van systeem status veranderingen in (op accu/AC input vermogen aan); Dit werkt alleen als alarmeren op aan staan.
alert	state	off	Vanaf versie 2.02. Schakelt het rapporteren van systeem status veranderingen uit (op accu/AC input vermogen aan) Dit is een standaard instelling.
battery			Verzoekt informatie over de accu.
gsm			Verzoekt informatie over de verbinding met het GSM netwerk, inclusief de signaalsterkte.
ip	eth		Verzoekt huidige IP instellingen voor Ethernet.
ip	eth dhcp	on	Schakelt automatische IP configuratie via DHCP in.
ip	eth dhcp	off	Schakelt automatische IP configuratie via DHCP uit.
ip	eth addr	<value>	Stelt het statische IP adres in.
ip	eth mask	<value>	Stelt het subnet mask in.
ip	eth gw	<value>	Stelt de default gateway in.
ip	eth dns1	<value>	Stelt de primary DNS server in.
ip	eth dns2	<value>	Stelt de secondary DNS server in.
log			Verzoekt de huidige logging periode voor web-modus.
log	period	<period>	Stelt de logging periode in voor web-modus (in minuten).
log	extra	on	Vanaf versie 2.02. Schakelt het versturen in van meer data naar de logging webserver wanneer alarmeren/waarschuwingen in het VE.Bus systeem plaatsvinden.
log	extra	off	Vanaf versie 2.02. Schakelt het versturen uit van meer data naar de logging webserver wanneer alarmeren/waarschuwingen in het VE.Bus systeem plaatsvinden. Dit is de standaard instelling.
sms			Verzoekt het aantal verstuurd SMS berichten en het limiet.
sms	limit	<limit>	Stelt het maximale aantal berichten per dag in.
sms	reset		Zet de teller naar nul zodat er weer antwoorden verstuurd kunnen worden.
vebus			Verzoekt informatie over het VE.Bus systeem.
vgr			Verzoekt informatie over de versie van de VER.

4. Remote VEConfigure

Alle omvormers, Multi-omvormer/laders en Quattro's die met onze VEConfigureII software kunnen worden geconfigureerd, kunnen ook op afstand worden geconfigureerd met een VGR en een VER.

Raadpleeg voor de gedetailleerde procedure de Remote VEConfigure handleiding op onze website, www.victronenergy.com. Gebruik om het document te vinden het trefwoord "remote VEConfigure" in het zoekvak bovenaan rechts.

Houd er rekening mee dat de procedure gebruik maakt van sms-tekstberichten en dat een goed geconfigureerde GPRS- of Ethernet-verbinding nodig is. Wanneer u een Victron Ethernet Remote gebruikt, moet de modem een simcard bevatten en u een Ethernet-verbinding hebben.

EN

NL

FR

DE

ES

SE

5. Fouten opsporen

5.1 LED codes

Modem Status (rood LED)	Uitleg
Uit	Modem krijgt geen stroom
Aan	Modem krijgt stroom maar is niet verbonden met GSM netwerk
Knippert langzaam	Verbonden met het netwerk
Knippert snel	Verbonden met het netwerk, oproep aan de gang

Ethernet Link Status (groen LED)	Uitleg
Uit	Geen link gedetecteerd. Controleer de kabelverbinding
Aan	Link is gedetecteerd. Opmerking: Ethernet is 10 Mbit/s

Ethernet Link Activiteit (geel LED)	Uitleg
Uit	Geen activiteit in het Ethernet segment
Knipperen	Activiteit in het Ethernet segment

5.2 Problemen oplossen

Probleem: De modem maakt geen verbinding met het GSM netwerk

Mogelijke oorzaken:

- PIN-beveiliging is nog ingeschakeld op de SIM. Controleer dit door de SIM-kaart in een mobiele telefoon te plaatsen. Zet de telefoon aan. De telefoon dient niet om een pincode te vragen. Ook niet 0000. Oplossing: schakel de PIN-beveiliging uit.

- Geen netwerk-ontvangst. Probeer de modem te verplaatsen of gebruik een andere antenne. Plaats de modem op een plek waar u vol bereik heeft met een mobiele telefoon. U kunt dit testen zonder dat er een Multi of BMV verbonden is.

- Het SIM slot op de modem is niet juist gesloten. Zorg ervoor dat u de zwarte schuif over de SIM-kaart dicht doet.

Probleem: Ik krijg de volgende SMS: "Warning MK2 version [versie nummer] not supported".

Oorzaak: De minimaal ondersteunde MK2 versie is 1130125. Gebruik de MK2 die meegeleverd is bij de Ethernet Remote. U kunt ook de MK2 verbinden met een computer waarop de laatste versie van VEConfigure staat. Deze zal de MK2 automatisch updaten.

Probleem: Ik krijg de volgende SMS: "Warning target version [versie nummer] not supported".

Oorzaak: De minimaal ondersteunde versie van het VE.Bus apparaat is 19xx111.

Probleem: Het VE.Bus apparaat (Multi/Omvormer/Quattro) schakelt uit wanneer ik het verbind met de MK2.

Oorzaak: De jumpers op de MK2 moeten verwijderd worden. Opmerking: deze jumpers zijn al verwijderd op de MK2 die bij de Ethernet Remote geleverd is.

6. Specificaties

Victron Ethernet Remote	
Voedingsspanningbereik	5.5 tot 32VDC
Spanning (max.)	0.48A @ 5.5VDC
Bedrijfstemperatuurbereik	-30C tot 75C
BEHUIZING	
Afmetingen	73 x 54.5 x 25.5
Gewicht	89 gram
LAN	
Ondersteunde standaarden	IEEE 802.3, 10Base-T
Connector type	Shielded RJ-45
USB	
Ondersteunde standard	USB 2.0
Connector type	Mini-B

EN

NL

FR

DE

ES

SE

1 Introduction

1.1 Introduction sur Victron Energy

Victron Energy compte parmi les meilleurs concepteurs et fabricants mondiaux de systèmes d'énergie. Notre service R&D est la force motrice de cette réputation internationale. Il cherche en permanence à intégrer les progrès technologiques les plus pointus dans nos produits. Chaque pas en avant apporte une plus-value en termes de performances techniques et économiques.

1.2 Introduction sur *Victron Remote Management* (Gestion à distance Victron)

Victron Ethernet Remote (VER - Contrôle à distance Ethernet Victron)

Le *Victron Ethernet Remote* est un modem GSM/GPRS disposant de plusieurs interfaces :

- Un port en série pour surveiller à la fois un produit VE.Bus ou un Contrôleur de batterie BMV. Par exemple nos Convertisseurs/chargeurs Multi, Convertisseurs ou Quattros sont des produits disposant du système VE.Bus.
- Un port Ethernet pour une surveillance à distance à travers Internet/Intranet (que ce soit un serveur Web central ou une unité autonome avec un serveur Web intégré).
- La connexion USB à un PC pour configuration.

Victron Remote Management (VRM)

Victron Remote Management (Gestion à Distance Victron) est le nom d'un système composé d'un modem et d'un site Web de surveillance.

Pour avoir un aperçu : rendez-vous sur la page <https://vrm.victronenergy.com>, et entrez sur "Victron Remote Management" en passant par le menu Login en haut à droite de la page.

Nom d'utilisateur : demo@victronenergy.com

Mot de passe : vrmdemo

EN

NL

FR

DE

ES

SE

2 Prêt à démarrer

2.1 Contenus du colis

Le colis du VER doit contenir les éléments suivants :

	Victron Ethernet Remote
	Adaptateur Ethernet
	Brides de montage
	Antenne GSM
	Câble d'alimentation avec fusible en ligne
	MK2.2A
	Câble en série (câble DB-15 mâle au câble DB-9 mâle)
	Câble USB pour configuration par PC

2.2 Accessoires en option

- Câble de réseau (UTP) pour raccorder le modem à votre réseau ;
- Carte SIM avec la sécurité PIN désactivée ;
- Kit de connexion entre Global Remote et BMV-60XS (VGR900100000).

2.3 Installation

1. Notez le numéro IMEI.
Avant d'installer le modem, notez le numéro IMEI dans l'espace destiné à cet effet à l'arrière de ce manuel. Il s'agit d'un numéro à 15 chiffres, et il est utilisé pour identifier votre modem lors de la création d'un compte sur le site vrm.victronenergy.com.
2. Branchez l'adaptateur Ethernet au modem, et connectez-le à votre commutateur ou routeur.
3. Connectez au VE.Bus ou à un BMV.
 - a. Pour VE.Bus, utilisez le câble DB-15 mâle au câble DB-9 mâle, fournis avec le modem. Connectez l'autre côté du MK2.2A à votre système VE.Bus avec un câble RJ45 UTP.
 - b. Pour un BMV, utilisez le câble de connexion entre le Global Remote et le BMV-60xS pour raccorder le BMV et l'Ethernet Remote. Ce câble doit être acheté à part.
4. (en option) Insérez la carte SIM et installez l'antenne.
5. Utilisez le câble d'alimentation fourni pour alimenter le *Victron Ethernet Remote*. La plage de tension autorisée va de 5,5 à 32 VCC.
6. Vérifiez la LED d'alimentation.
La LED d'alimentation est rouge, et elle est située près de la fente de la carte SIM. La LED doit être allumée en rouge en permanence si vous n'utilisez pas de carte SIM. Si vous utilisez une carte SIM, elle doit clignoter, indiquant qu'elle est connectée à un réseau GSM. Pour de plus amples informations sur la LED rouge, voir la Chapitre 5.1.
7. Vérifiez les LED Ethernet.
Ces LED sont situées derrière la prise USB. La LED de liaison, verte, doit être allumée. La LED d'activité, jaune, clignote s'il y a de l'activité sur le segment Ethernet.

Schéma du VER avec BMV

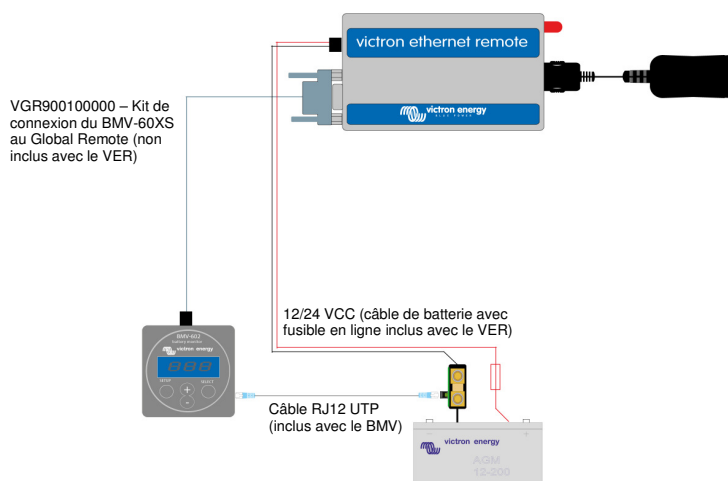
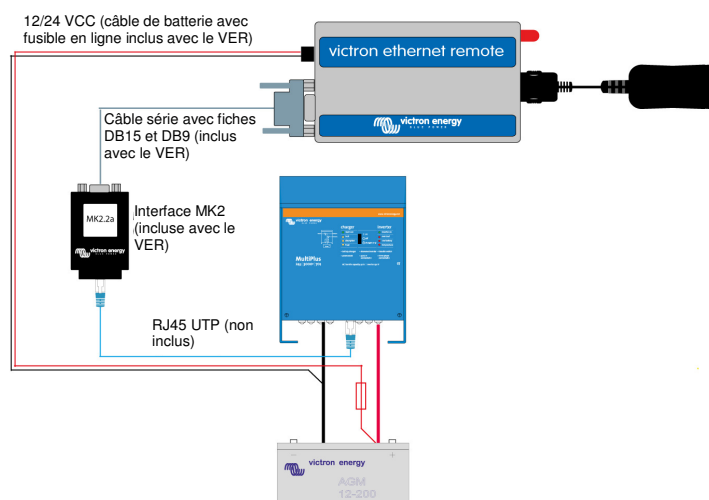


Schéma du VER avec le VE.Bus



2.4 Configuration

Pour la configuration initiale, il est recommandé de configurer l'appareil avec le logiciel de configuration *VGR Configure*. Ce logiciel peut être téléchargé depuis notre site Web.

1. Téléchargez, installez et démarrez le *VGR Configure* sur votre PC.
2. Connectez le *Victron Ethernet Remote* à votre PC avec le câble USB fourni.
3. Ouvrez le premier écran de configuration, "*Change general settings*" (Changez les paramètres généraux).
4. Sélectionnez le type d'appareil connecté dans "*Monitored device*" (Appareil surveillé).
5. Synchronisez l'horloge de l'Ethernet Remote avec celle du PC en appuyant sur le bouton correspondant.
6. Pour appliquer les nouvelles valeurs, appuyez sur le bouton *Save* (Enregistrer) et attendez que le *Victron Ethernet Remote* redémarre après avoir programmé les nouvelles valeurs.
7. Sélectionnez le menu *Change network settings* (Changer les paramètres du réseau) et dans le tableau *Ethernet*, configurez/vérifiez les paramètres IP. Consultez votre administrateur de réseau pour une configuration correcte (si vous pensez utiliser le VER en mode autonome, voir le conseil dans 3.1).
8. Configurez/vérifiez les paramètres SNMP dans le tableau correspondant (si cela est nécessaire). Voir 3.2 pour de plus amples détails.
9. Sélectionnez l'onglet *Web interface* (Interface Web) si vous préférez changer les valeurs par défaut des authentifiants HTTP. Voir 3.1 pour de plus amples détails.
10. Pour appliquer les nouvelles valeurs, appuyez sur le bouton *Save* (Enregistrer) et attendez que le VER redémarre après avoir programmé les nouvelles valeurs.

3 Utilisation du *Victron Ethernet Remote*

L'information relative à votre système Victron peut être récupérée de plusieurs manières :

- Mode autonome (le site Web intégré).
- Mode Web (données de journalisation au site Web *Victron Remote Management*)
- SNMP (Simple Network Management Protocol)
- Messages de texte SMS.

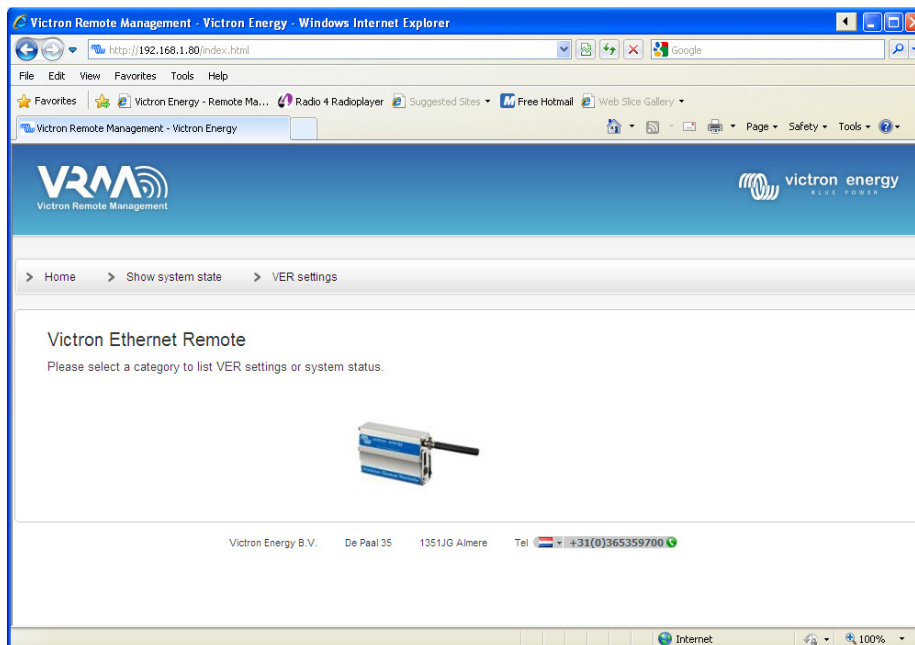
Toutes peuvent être utilisées en même temps. Le mode autonome est toujours disponible. Le mode Web nécessite une connexion internet. Le mode SMS est disponible si le *Victron Remote Ethernet* est enregistré dans un réseau GSM.

3.1 Mode autonome

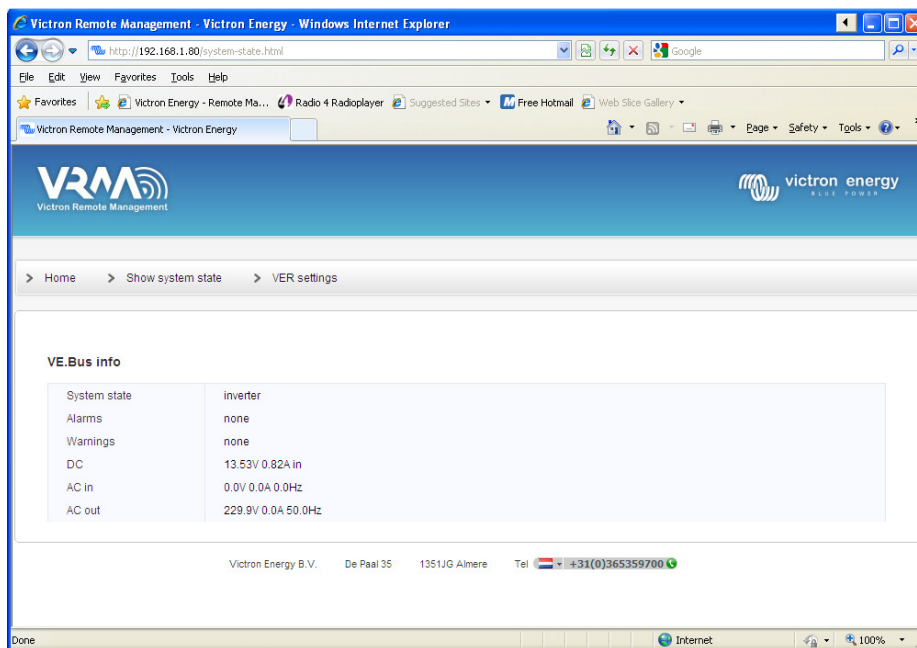
Avec ce mode, vous surveillez les données réelles à travers l'interface Web. Aucune connexion internet n'est nécessaire. Par défaut, les paramètres IP sont attribués automatiquement à travers le protocole DHCP. Les paramètres IP actuels peuvent être vus avec le logiciel *VGR Configure*.

Astuce : Consultez votre administrateur de réseau pour configurer le serveur DHCP afin de toujours fournir la même adresse IP à votre VER. L'adresse MAC Ethernet (6 octets hexadécimaux séparés par des deux-points) est située en-dessous du modem. Une autre option consiste à attribuer des paramètres IP statiques à l'aide du logiciel *VGR Configure*.

Démarrez un navigateur sur le PC, saisissez l'adresse IP de votre VER dans le champ d'adresse du navigateur, et la page de démarrage du VER doit apparaître. Par exemple :



Pour vérifiez celui qui est connecté aux appareils VER, appuyez sur **Show system state** (Montrer l'état du système). Par exemple :



The screenshot shows a web browser window titled "Victron Remote Management - Victron Energy - Windows Internet Explorer". The address bar displays "http://192.168.1.80/system-state.html". The page features the VRM logo and the Victron Energy logo. A breadcrumb trail indicates the current location: Home > Show system state > VER settings. The main content area is titled "VE.Bus info" and contains a table with the following data:

System state	inverter
Alarms	none
Warnings	none
DC	13.53V 0.82A in
AC in	0.0V 0.0A 0.0Hz
AC out	229.9V 0.0A 50.0Hz

At the bottom of the page, contact information is provided: "Victron Energy B.V. De Paal 35 1351JG Almere Tel +31(0)365359700". The browser's status bar at the bottom shows "Done" and "Internet".

Pour afficher les paramètres actuels du VER, appuyez sur **VER settings** (Paramètres du VER). Par exemple :



Remarque : Ces pages sont rafraichies automatiquement toutes les 5 minutes.

3.1.1 Changer les paramètres VER avec l'interface Web.

Pour configurer le VER, allez sur *VER Settings* (Paramètres du VER), et appuyez sur le bouton correspondant de *Update* (Mise à jour). Il vous sera demandé d'introduire un identifiant et un mot de passe. L'identifiant par défaut est **admin** avec pour mot de passe **victron_vrm**.

Pour changer les authentifiants par défaut, utilisez le logiciel *VGR Configure*. Il est aussi possible d'interdire la mise à jour des paramètres VER à travers l'interface Web : choisissez *No authentication* (Pas d'authentification).

Remarque : Pour configurer des paramètres IP statiques avec l'interface Web, introduisez d'abord les détails de l'adresse IP statique, configurez "*obtain an IP automatically*" (obtenir une IP automatiquement) sur *off* et ensuite, appliquez ces paramètres en appuyant sur le bouton *Update* (Mise à jour).

EN

NL

FR

DE

ES

SE

3.2 Mode Web

Par défaut, le contrôle à distance Ethernet essaie régulièrement d'envoyer des données au site Web central, <https://vrm.victronenergy.com>, afin de pouvoir les réviser plus tard. Pour cela, le *Victron Ethernet Remote* doit pouvoir accéder à Internet à travers le réseau local ou le réseau GPRS.

Pour voir ces données, cliquez sur <https://vrm.victronenergy.com> et créez un compte. Une fois que la session est ouverte, cliquez sur "Add a site link" (Ajouter un lien du site) sur la gauche, entrez le numéro de série de votre VER qui est fourni dans le colis, et ensuite, cliquez sur "Add site button" (Ajouter un bouton du site). À présent, l'appareil sera listé en haut à gauche de la page. Vous voudrez probablement changer la description de l'appareil pour une autre plus significative.

Astuce : Il est possible d'ajouter plusieurs appareils sur le même compte.

Cliquez sur la description de l'appareil en haut à gauche pour voir les données.

Remarque : Consultez votre administrateur de réseau si vous avez besoin d'un serveur proxy HTTP pour accéder aux sites Web sur Internet. Dans ce cas, vous devez configurer le serveur proxy HTTP à l'aide de l'outil *VGR Configure*.

3.3 SNMP

SNMP (Simple Network Management Protocol) est activé par défaut. SNMPv1 et SNMPv2c sont pris en charge. Systèmes MIB (RFC1213) et UPS MIB (RFC1628) sont pris en charge.

UPS MIB prend en charge :

1. Groupe d'identification de l'appareil
2. Groupe de batterie
3. Groupe d'entrée
4. Groupe de sortie
5. Groupe d'alarme
6. Groupe de configuration - *upsConfigLowBattTime* seulement
7. Notifications (par ex. traps)

Toutes les informations essentielles concernant UPS MIB sont disponibles si le VER est connecté au système VE.Bus. Il est possible d'obtenir cette information en utilisant n'importe quel logiciel de gestion SNMP disponible (c'est à dire MIB Browser).

La configuration initiale des paramètres liés au SNMP doit être réalisée en utilisant le logiciel *VGR Configure*.

Les variables du système MIB et UPS MIB décrites ci-dessous doivent aussi être configurées en utilisant l'opération de configuration SNMP standard. Tous les paramètres sont enregistrés en flash et conservés après réinitialisation.

3.3.1 Chaînes communautaires SNMP

Configurez des chaînes **communautaires** en lecture seule et en lecture-écriture.

1. Une chaîne **Communautaire RO (read only)** est utilisée pour un accès en lecture seule. La valeur par défaut est *public*.
2. Une chaîne **Communautaire RW (read-write)** est utilisée pour un accès lecture écriture. La valeur par défaut est *private*.

Les chaînes **Communautaires** doivent être les mêmes que pour le navigateur MIB que vous utilisez.

Les chaînes **communautaires** doivent être des caractères imprimables et d'une longueur égale ou inférieure à 32.

3.3.2 Variables système MIB

Configurez les variables **sysContact**, **sysName** et **sysLocation**.

1. **sysContact** : Identification de la personne de contact. Par exemple : Dave Hum dave@hum.com. La valeur par défaut est une chaîne vide.
2. **sysName** : nom du domaine. Par exemple : *UPS#1.almere.victronenergy.com*. La valeur par défaut est une chaîne vide.
3. **sysLocation** : Emplacement physique. Par exemple : *Almere-Haven office, 2-nd floor*. La valeur par défaut est une chaîne vide.

Veuillez consulter rfc1213 pour la description complète des variables.

3.3.3 Variables UPS MIB

Configurez les variables **upsIdentName**, **upsIdentAttachedDevices** et **upsConfigLowBattTime**.

1. **upsIdentName** : chaîne identifiant UPS. Par exemple : *UPS avec une étiquette rouge*. La valeur par défaut est une chaîne vide.
2. **upsIdentAttachedDevices** : appareils raccordés. Par exemple : *Ventilateur, Réfrigérateur*. La valeur par défaut est une chaîne vide.
3. **upsConfigLowBattTime** : Minutes estimées restantes à partir desquelles une condition de "Batterie faible" est déclarée. Cette valeur devra dépendre des objectifs du système et elle doit être configurée individuellement. La valeur par défaut pour **upsConfigLowBattTime** est 0.

Veuillez consulter à rfc1628 pour la description complète des variables.

3.3.4 Traps (Alertes d'interruption SNMP)

Les *traps* sont utilisées pour notifier au Logiciel de gestion SNMP que des changements importants ont lieu dans le système, comme par exemple la perte de connexion au VE.Bus, le non fonctionnement du système, l'apparition de plusieurs alarmes telles que "Battery is low" (batterie faible), ou "Battery is depleted" (batterie épuisée) ou "Input is bad" (mauvaise batterie), ou encore le changement d'état du système "System on battery" (système sur batterie) ou "System Off" (système éteint). Utilisez tous les outils SNMP disponibles pour recevoir les *traps*.

Configurez les paramètres de *traps* suivants :

1. Chaîne **communautaire de traps**. Ce doit être la même que pour un écouteur de *traps*. La valeur par défaut pour la chaîne **communautaire de traps** est *public*. Les chaînes **communautaires de traps** doivent être des caractères imprimables et d'une longueur égale ou inférieure à 32.

2. **IP de Destination des *traps*** – l'adresse IP de votre PC où fonctionne l'écouteur de *traps*. Par défaut, aucune **Destination de *traps*** n'est configurée.
3. **Port de Destination des *traps*** – le port UDP de votre PC où fonctionne l'écouteur de *traps*. La valeur par défaut du **Port de Destination des *traps*** est 162.

EN

NL

FR

DE

ES

SE

3.4 SMS (en option)

Le mode SMS est disponible si la carte SIM est installée et le *Victron Ethernet Remote* est enregistré sur un réseau GSM.

Le mode SMS est utilisé en envoyant des commandes à partir d'un téléphone mobile, ou d'autres appareils compatibles, en utilisant des SMS (Short Message Service), aussi appelés Messages de texte. Pour de plus amples informations sur la manière d'envoyer un SMS, consultez le manuel de votre téléphone mobile.

Avec un message de texte, vous pouvez demander au *Victron Ethernet Remote* l'état actuel de l'appareil VE.Bus raccordé ou du BMV. Les messages de texte peuvent être utilisés pour configurer le VER.

En plus d'envoyer des informations à la demande, le VER peut être configuré pour envoyer automatiquement une alerte lorsque certains événements ont lieu.

Notes sur les messages SMS :

- Les commandes ne prennent pas en compte les « casses » des lettres, c'est pourquoi la combinaison de lettres majuscules ou minuscules utilisée n'a pas d'importance. Cependant, pour certains paramètres (tels que les mots de passe), cela peut avoir de l'importance.
- Des commandes multiples peuvent être spécifiés avec un seul message. Des paramètres multiples peuvent être spécifiés avec une seule commande.
- Le nombre des messages SMS envoyés quotidiennement par le modem est limité. La limite par défaut est configurée à 100 messages. Cette configuration peut être changée par une commande SMS "sms limit".
- Lors du traitement des commandes SMS, le modem s'arrêtera dès qu'il rencontre une erreur dans le format d'une commande. Si des commandes valides ont déjà été trouvées, elles seront exécutées comme normales, et la réponse indiquera où l'erreur a été trouvée. Cependant, si le message ne contient aucune commande valide, aucune réponse ne sera envoyée (cela évite les grosses factures dues aux réponses du modem aux messages automatisés depuis, par exemple, les téléprospectionnaires). S'il est nécessaire que le modem réponde (afin de déterminer pourquoi la commande n'est pas encore traitée), commencez le message avec *forcereply* (forcer la réponse).

3.4.1 Exemples

Pour s'informer de l'état du système VE.Bus, envoyez :

```
vebus
```

Le VER répondra alors avec l'information relative à l'état du système VE.Bus.

```
État du système : convertisseur
Alarmes : aucunes
Avertissements : aucuns
CC : 26,51V 9,02A
AC in : 0V 0,0A 0Hz
AC out : 229,8V 0,9A 50,0Hz
```

Pour s'informer de l'état d'un BMV raccordé, envoyez :

```
battery
```

Le *Victron Ethernet Remote* répondra avec l'état actuel :

```
Battery : 26,51V, -0,15A
Level 99%, 0Ah
TTG : 240h
```

Pour changer la période de journalisation, envoyez le journal avec une nouvelle période. Par exemple, configurez la période sur 2 minutes :

```
log period 2
```

Le *Victron Ethernet Remote* répondra avec la nouvelle configuration et le dernier journal :

```
LOG
Period: 2min
Extra: off
Last log: 1 minutes and 53 seconds ago
```

3.4.2 Aperçu des commandes SMS

Commande	Paramètre	Argument	Description
alert			Sollicite la configuration de l'alerte en cours.
alert	on		Permet des alertes et configure le type d'alerte en fonction du type d'alerte envoyé par l'appareil (jusqu'à 5 types différents peuvent être spécifiés).
alert	off		Désactive les alertes.
alert	state	on	Depuis la version 2.02. Active les rapports d'état du système (si batterie/puissance d'entrée CA allumée). Cela sera possible si les alertes sont activées.
alert	state	off	Depuis la version 2.02. Désactive les rapports d'état du système (si batterie/puissance d'entrée CA allumée). C'est un paramètre par défaut.
battery			Sollicite des informations sur la batterie.
gsm			Sollicite des informations sur la connexion au réseau GSM, y compris la longueur du signal.
ip	eth		Sollicite les paramètres actuels de l'IP pour Ethernet
ip	eth dhcp	on	Permet la configuration automatique de l'IP via DHCP
ip	eth dhcp	off	Désactive la configuration automatique de l'IP via DHCP
ip	eth addr	<value>	Configure l'adresse IP statique
ip	eth mask	<value>	Configure le masque de sous-réseau
ip	eth gw	<value>	Configure la passerelle par défaut
ip	eth dns1	<value>	Configure le serveur DNS primaire
ip	eth dns2	<value>	Configure le serveur DNS secondaire
log			Sollicite la période de journalisation en cours pour le mode Web.
log	period	<period>	Configure la période de journalisation pour le mode Web (en minutes).
log	extra	on	Depuis la version 2.02. Permet d'envoyer plus de données au serveur Web de journalisation quand une alarme/avertissement a lieu dans le système VE.Bus.
log	extra	off	Démarrage depuis version 2.02. Désactive l'envoi de plus de données au serveur Web de journalisation quand une alarme/avertissement a lieu dans le système VE.Bus. C'est un paramètre par défaut.
sms			Sollicite le nombre de messages SMS envoyés et la limite définie.
sms	limit	<limit>	Configure le nombre maximal de messages SMS par jour selon la valeur.
sms	reset		Remet le compteur à zéro pour permettre à nouveau des réponses.
vebus			Sollicite des informations sur le système VE.Bus.
vgr			Sollicite l'information relative à la version du VER.

EN

NL

FR

DE

ES

SE

4 Remote VEConfigure

Tous les convertisseurs, convertisseur/chargeurs Multi et Quattro peuvent être configurés avec notre logiciel VEConfigureII. Ils peuvent aussi être configurés à distance avec un VGR et VER.

Pour plus de détails sur la procédure, veuillez consulter notre manuel *Remote VEConfigure* (VEConfigure à distance) sur notre site Web, www.victronenergy.com. Pour trouver ce document, utilisez le mot-clé « remote VEConfigure » dans la boîte de recherche en haut à droite.

Notez que la procédure requiert des messages de textes SMS et une connexion GPRS ou Ethernet correctement configurée. Pour utiliser un *Victron Ethernet Remote*, vous aurez besoin d'une carte SIM dans le modem ainsi qu'une connexion Ethernet.

5 Guide de dépannages

5.1 Codes des LED

État du Modem (LED rouge)	Explication
Off	Modem non alimenté
Fixe	Le modem reçoit du courant mais il n'est pas connecté au réseau GSM
Clignote doucement	Connecté au réseau, et inactif
Clignote rapidement	Connecté au réseau, appel en cours

État de la liaison Ethernet (LED verte)	Explication
Off	Aucune liaison détectée. Vérifiez le câble de connexion.
On	Liaison détectée. Remarque : Ethernet est à 10 Mbit/s

Activité de la liaison Ethernet (LED jaune)	Explication
Off	Aucune activité sur le segment Ethernet
Clignotement	Activité sur segment Ethernet

5.2 Problèmes fréquents

Problème : Le modem ne se connecte pas au réseau GSM

Causes possibles :

- La sécurité du PIN est encore activée sur la carte SIM. Vérifier en mettant la carte SIM dans un téléphone normal et en l'allumant. Quand le téléphone s'allume, il **ne doit pas** demander un code PIN, ni même 0000. Solution : enlevez la sécurité.

- Pas de réception réseau, Essayez de bouger le modem ou utilisez une antenne différente. Essayez d'alimenter le modem depuis un endroit ayant une couverture complète avec un téléphone GSM normal. Ceci peut être testé sans connecter le Multi ou le BMV-602.

- L'emplacement de la carte SIM n'est pas correctement fermé : assurez-vous que la glissière noire est bien refermée sur la carte SIM.

Problème : Je reçois un SMS qui me dit : "Attention, la version MK2 [numéro de version] n'est pas compatible".

Cause : La version minimale compatible de MK2 est 1130125. Veuillez utiliser le MK2 qui est fourni avec le *Victron Ethernet Remote*. Vous pouvez aussi connecter le MK2 à un ordinateur fonctionnant avec la dernière version du *VE Configure* qui se mettra à jour automatiquement.

Problème : Je reçois un SMS qui me dit : "Attention, la version cible [numéro de version] n'est pas compatible".

Cause : La version minimale compatible de l'appareil VE.Bus est 19xx111.

Problème : L'appareil VE.Bus (Multi/Convertisseur/Quattro) s'éteint quand je connecte le MK2.

Cause : Il faut retirer les deux cavaliers de la MK2. À noter : ces cavaliers ont déjà été remplacés sur la MK2 fournie avec le *Victron Ethernet Remote*.

6 Spécifications

Victron Ethernet Remote	
Plage de tension d'alimentation	5,5 à 32 VCC
Appel de courant (max.)	0,48 A @ 5,5 VCC
Température de fonctionnement : Plage	-30°C – 75°C
BOÎTIER	
Mesures	73 x 54,5 x 25,5
Poids	89 grammes
LAN	
Normes compatibles	IEEE 802.3, 10Base-T
Type de connecteur	RJ-45 blindé
USB	
Normes compatibles	USB 2.0
Type de connecteur	Mini-B

1 Einführung

1.1 Einführung zu Victron Energy

Victron Energy genießt weltweit den Ruf eines führenden Entwicklers und Herstellers von Energiesystemen. Die hauseigene F&E-Abteilung ist der Motor für diesen Erfolg. Hier werden ständig neue Lösungen entwickelt und deren Integration in neue Produkte vorangetrieben. Jeder Schritt führt zu einem Mehrwert sowohl in wirtschaftlicher als auch in technischer Hinsicht.

1.2 Einführung in das Victron Remote Management

Victron Ethernet Remote (VER)

Das Victron Ethernet Remote ist ein GSM/GPRS-Modem mit mehreren Schnittstellen:

- Eine serielle Schnittstelle, über die sich entweder ein VE.Bus-Produkt oder ein BMV Batteriewächter überwachen lässt. Produkte mit einem VE.Bus sind zum Beispiel Mutli-Wechselrichter/Ladegeräte, Wechselrichter oder Quattros.
- Eine Ethernet-Schnittstelle zur Fernüberwachung über das Internet/Intranet (zu einem zentralen Webserver und als Standalone-Gerät mit eingebettetem Webserver).
- Die USB-Verbindung zum PC zur Konfiguration.

Victron Remote Management (VRM)

Victron Remote Management ist die Bezeichnung für das System, das sich aus einem Modem und einer Überwachungs-Website zusammensetzt.

Für eine Vorschau: gehen Sie bitte auf die folgende Seite: <https://vrn.victronenergy.com>, und loggen Sie sich unter "Victron Remote Management" über das Login-Menü oben rechts auf der Seite ein.

Benutzername: demo@victronenergy.com

Passwort: vrmdemo

2 Erste Schritte

2.1 Packungsinhalt

In der Verpackung des VER sollten folgende Teile enthalten sein:

	Victron Ethernet Remote
	Ethernet-Adapter
	Montagevorrichtungen
	GSM-Antenne
	Stromversorgungskabel mit Inline-Sicherung
	MK2.2A
	Seriellles Kabel (DB-15-Stecker auf DB9-Kabelstecker)
	USB-Kabel zur Konfiguration per PC

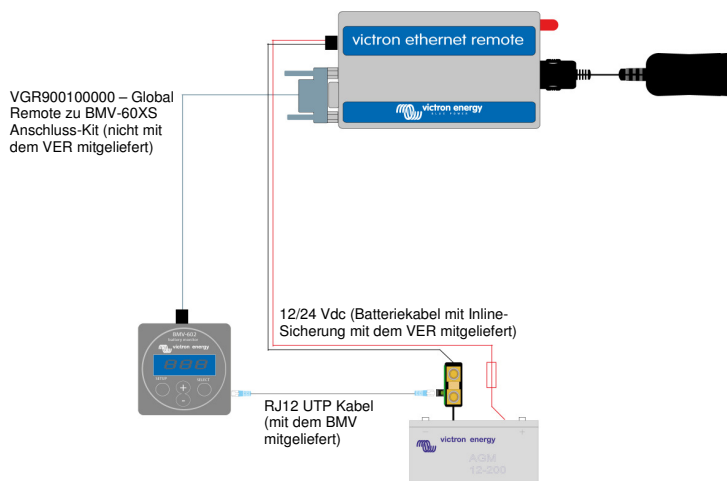
2.2 Optionales Zubehör

- Netzwerk-Kabel (UTP) zum Anschluss des Modems an das vorhandene Netzwerk;
- SIM-Karte mit deaktiviertem PIN-Schutz;
- Global Remote zu BMV-60xS Anschluss-Set (VGR900100000).

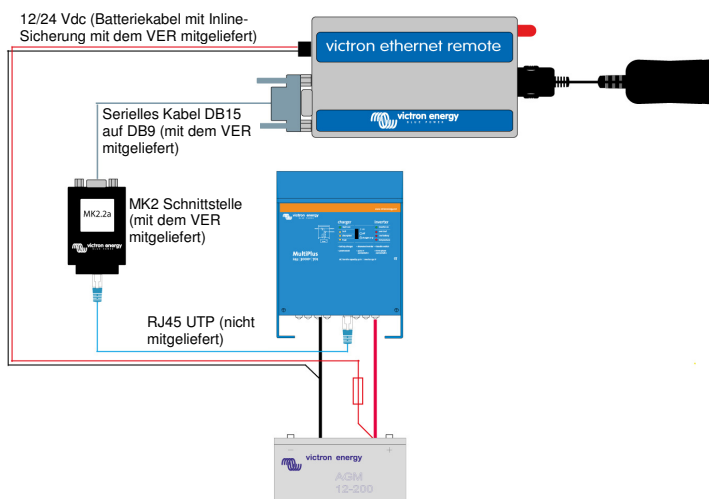
2.3 Installation

1. Notieren Sie die IMEI Nummer.
Tragen Sie vor der Montage des Modems die IMEI-Nummer in das dafür vorgesehene Feld auf der Rückseite dieses Handbuchs ein. Es handelt sich dabei um eine 15-stellige Nummer, die bei der Einrichtung eines Kontos auf der VRM Website zur Identifizierung Ihres Modems verwendet wird, <https://vrm.victronenergy.com>.
2. Verbinden Sie den Ethernet-Adapter mit dem Modem und schließen Ihren Switch bzw. Router an.
3. Anschluss an einen VE.BUS oder an einen BMV.
 - a. Verwenden Sie für den VE Bus den mit dem Modem mitgelieferten DB-15-Stecker auf DB9-Kabelstecker. Verbinden Sie den MK2.2A mit dem seriellen Kabel. Verbinden Sie die andere Seite des MK2.2A mithilfe eines RJ45 UTP-Kabels mit Ihrem VE.Bus System.
 - b. Bei einem BMV, verbinden Sie diesen mit dem Global Remote zu BMV-60xS Anschluss-Kabel mit dem Ethernet Remote. Dieses Kabel ist separat zu erwerben.
4. (Optional) SIM-Karte einlegen und Antenne anbringen.
5. Verwenden Sie zur Stromversorgung des Victron Ethernet Remote das mitgelieferte Kabel. Der zulässige Spannungsbereich liegt zwischen 5,5 und 32 VDC.
6. Überprüfung der Power LED.
Die Power-LED ist rot und befindet sich neben dem Schlitz für die SIM-Karte. Sofern Sie keine SIM-Karte verwenden, sollte die LED ununterbrochen ROT leuchten. Bei Verwendung einer SIM-Karte sollte diese LED blinken. Sie zeigt damit an, dass sie an ein GSM-Netzwerk angeschlossen ist. Weitere Erläuterungen zur roten LED finden Sie auf Kapitel 5.1.
7. Überprüfung der Ethernet-LED.
Diese LEDs befinden sich neben der USB-Buchse. Die Link-LED, grün, sollte leuchten. Die Aktivitäts-LED, gelb, blinkt, wenn es im Ethernet-Segment Aktivitäten gibt.

Schaltbild: VER mit BMV



Schaltbild: VER mit VE.Bus



2.4 Konfiguration

Für die erste Konfiguration des Geräts wird die Konfigurations-Software VGR Configure empfohlen. Diese Software kann auf unserer Website heruntergeladen werden.

1. Laden Sie VGR Configure herunter, installieren Sie die Software auf Ihrem PC und starten Sie sie.
2. Verbinden Sie das Ethernet Remote über das mitgelieferte USB-Kabel mit Ihrem PC.
3. Öffnen Sie das erste Konfigurationsfenster, '*Change general settings*' (Änderung der allgemeinen Einstellungen).
4. Wählen Sie die Art des angeschlossenen Gerätes unter '*Monitored device*' (*Überwachtes Gerät*).
5. Synchronisieren Sie die externe Ethernet-Uhr mit der Uhr Ihres PCs durch Betätigen der entsprechenden Schaltfläche.
6. Zum Übernehmen der neuen Werte drücken Sie die Schaltfläche *Save* (speichern) und warten, bis das Ethernet Remote nach der Programmierung der neuen Werte erneut erscheint.
7. Wählen Sie das Menü *Change network settings* (Änderung der Netzeinstellungen) und konfigurieren/überprüfen Sie dann die IP-Einstellungen im Tap *Ethernet*. Fragen Sie Ihren Netzwerk-Administrator nach der korrekten Konfiguration (falls Sie die Verwendung des VER im Standalone-Modus beabsichtigen, siehe Tipp unter 3.1).
8. Konfigurieren/überprüfen Sie die SNMP-Einstellungen im entsprechenden Tap (sofern erforderlich). Siehe auch 3.2 für zusätzliche Informationen.
9. Wählen Sie den Tap *Web interface*, wenn Sie die Standard-Werte der HTTP-Berechtigungsanfrage lieber ändern möchten. Siehe auch 3.1 für zusätzliche Informationen.
10. Zur Übernahme der neuen Werte drücken Sie die Schaltfläche *Save* (speichern) und warten, bis das VER nach der Programmierung der neuen Werte erneut erscheint.

3 Verwendung des Victron Ethernet Remote

Es können auf vier verschiedene Arten Informationen über Ihr Victron-System abgerufen werden.

- Standalone-Modus (die eingebettete Website).
- Web-Modus (Protokollieren von Daten auf der Victron Remote Management Website).
- SNMP ('Simple Network Management Protocol' - einfaches Netzwerkverwaltungsprotokoll)
- SMS Text-Nachrichten.

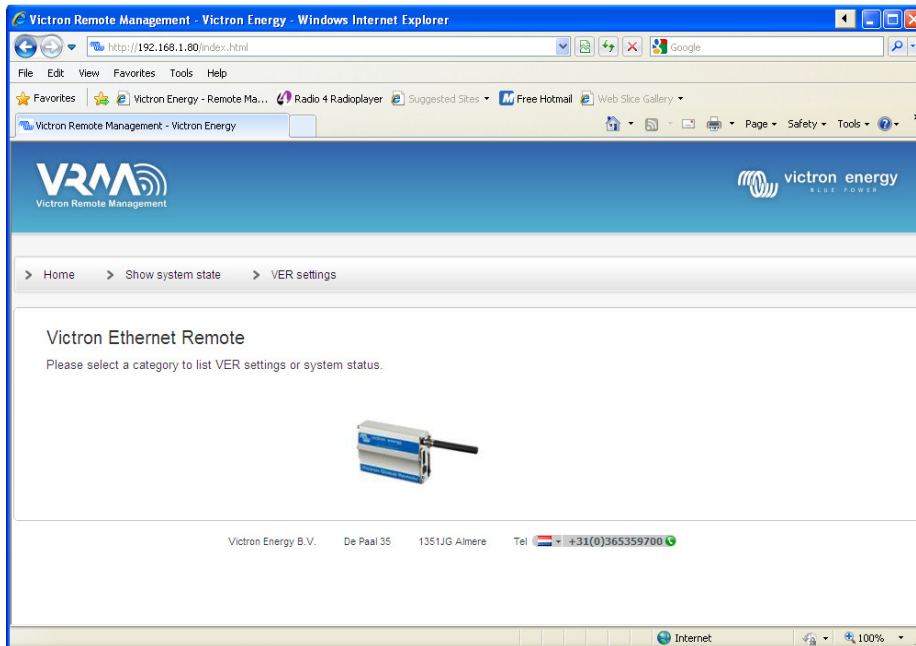
Alle Arten lassen sich auch gleichzeitig nutzen. Der Standalone-Modus ist immer verfügbar. Für den Web-Modus ist ein Internet-Anschluss erforderlich. Der SMS-Modus steht dann zur Verfügung, wenn das Ethernet Remote in einem GSM-Netzwerk registriert wurde.

3.1 Standalone-Modus

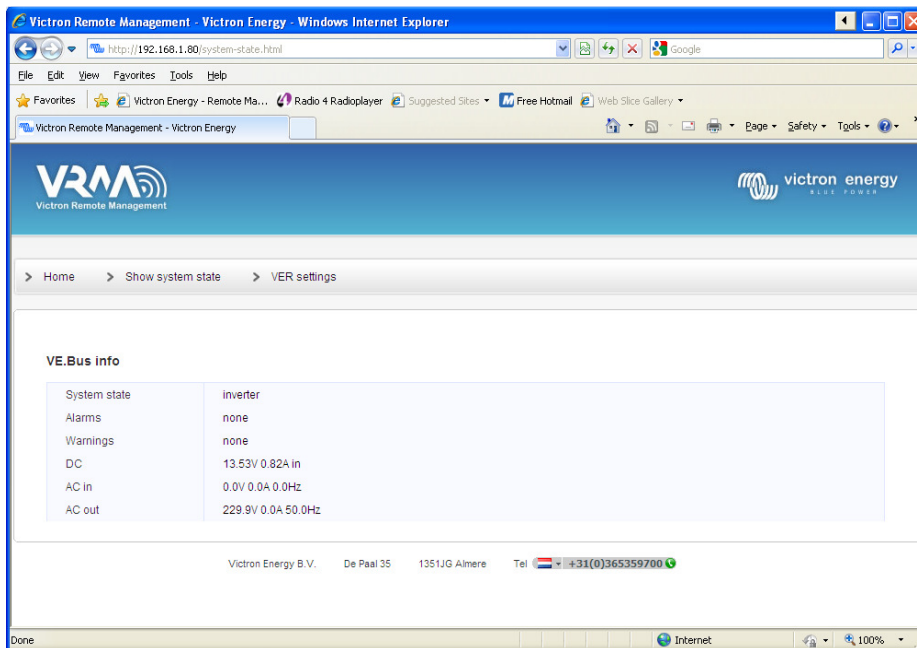
In diesem Modus überwachen Sie die jeweiligen Daten über die Web-Schnittstelle. Es wird dazu keine Internet-Verbindung benötigt. Standardmäßig werden die IP-Einstellungen automatisch über das DHCP-Protokoll zugewiesen. Die aktuellen IP-Einstellungen lassen sich mit der VGR Configure-Software anzeigen.

Tipp: Bitten Sie Ihren Netzwerk-Administrator, den DHCP-Server so zu konfigurieren, dass er für Ihr VER stets dieselbe IP-Adresse vorsieht. Die Ethernet MAC Adresse (6 hexadezimale Bytes, durch Doppelpunkte voneinander getrennt) befindet sich an der Unterseite des Modems. Eine weitere Möglichkeit besteht in der Zuordnung einer feststehenden IP Einstellung mithilfe der VGR Configure Software.

Öffnen Sie auf Ihrem PC einen Web-Browser und geben Sie die IP-Adresse Ihres VER in die Adressleiste des Browsers ein. Die Startseite des VER sollte dann erscheinen. Ein Beispiel:



Zur Überwachung der an das VER angeschlossenen Geräte klicken Sie auf **Show system state** (Systemstatus anzeigen). Zum Beispiel:

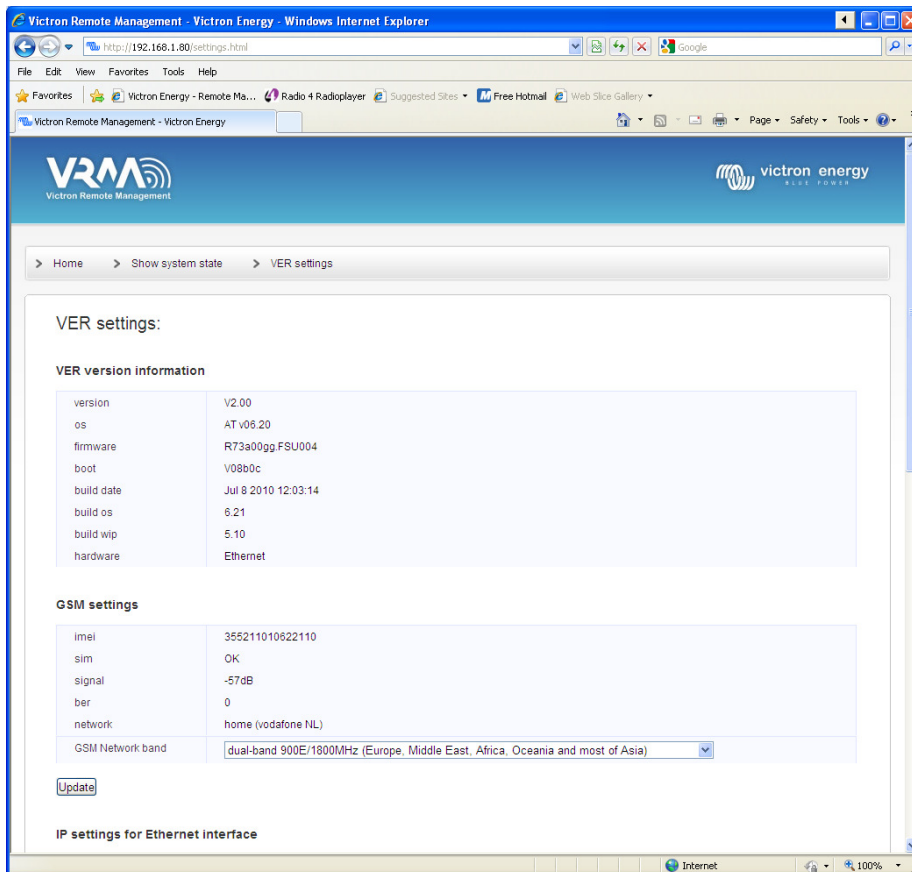


The screenshot shows a web browser window displaying the Victron Remote Management (VRM) interface. The browser's address bar shows the URL `http://192.168.1.80/system-state.html`. The page features the VRM logo on the left and the Victron Energy logo on the right. A breadcrumb trail indicates the current location: `Home > Show system state > VER settings`. The main content area is titled "VE.Bus info" and contains a table with the following data:

System state	Inverter
Alarms	none
Warnings	none
DC	13.53V 0.82A in
AC in	0.0V 0.0A 0.0Hz
AC out	229.9V 0.0A 50.0Hz

At the bottom of the page, contact information is provided: "Victron Energy B.V. De Paal 35 1351JG Almere Tel: +31(0)365359700". The browser's status bar at the bottom shows "Done" and "Internet".

Zur Anzeige der aktuellen VER Einstellungen, klicken Sie auf **VER settings** (VER Einstellungen). Zum Beispiel:



Beachte: Diese Seiten werden nach 5 Minuten automatisch aktualisiert.

3.1.1 Änderung der VER-Einstellungen über die Web-Schnittstelle

Um das VER zu konfigurieren, gehen Sie zu 'VER Settings' (Einstellungen) und betätigen Sie die zugehörige Schaltfläche *Update*. Sie werden dann dazu aufgefordert, den Benutzernamen und das Passwort einzugeben. Der Standard-Benutzername ist **admin** und das zugehörige Passwort **victron_vrm**.

Verwenden Sie die VGR Configure Software, um die standardmäßigen Berechtigungsnachweise zu ändern. Es ist außerdem möglich, das Aktualisieren der VER Einstellungen über die Web-Schnittstelle zu verhindern. Wählen Sie hierzu *No authentication* (Keine Authentifizierung).

Beachte: Zum Konfigurieren feststehender IP-Einstellungen mit der Web-Schnittstelle, geben Sie bitte zunächst die Informationen für die statische IP-Adresse ein, stellen Sie dann 'obtain an IP automatically' (IP automatisch erhalten) auf *off* (aus) und übernehmen Sie im Anschluss Ihre Einstellungen durch das Betätigen der Schaltfläche *Update*.

3.2 Web-Modus

Standardmäßig versucht das Ethernet Remote in regelmäßigen Abständen, Daten auf der zentralern Website, <https://vrm.victronenergy.com> zu speichern, damit diese später eingesehen werden können. Hierzu muss das Ethernet Remote über das lokale Netzwerk oder über das GPRS-Netzwerk Zugang zum Internet haben.

Um diese Daten einzusehen, gehen Sie auf die Seite <https://vrm.victronenergy.com> und erstellen Sie ein Konto. Nachdem Sie sich eingeloggt haben, klicken Sie links auf "Add a site link" (Site-Link hinzufügen), geben die Seriennummer von der Verpackung Ihres VER ein und klicken dann auf die Schaltfläche "Add site" (Site hinzufügen). Ihr Gerät wird nun oben links auf der Seite aufgelistet. Sofern gewünscht, ändern Sie die Bezeichnung des Gerätes in eine aussagekräftigere Bezeichnung ab.

Tipp: Sie können unter demselben Konto mehrere Geräte hinzufügen.

Klicken Sie zur Anzeige der Daten oben links auf die Bezeichnung des Gerätes.

Beachte: Fragen Sie Ihren Netzwerk-Administrator, ob Sie für den Zugang zu den Websites im Internet einen HTTP Proxy Server benötigen. Sollte dies der Fall sein, so müssen Sie den HTTP Proxy Server mithilfe des VGR Configure Tools konfigurieren.

3.3 SNMP

Das SNMP ('Simple Network Management Protocol' - einfaches Netzwerkverwaltungsprotokoll) ist standardmäßig aktiviert. SNMPv1 und SNMPv2c werden unterstützt. System MIB (RFC1213) und UPS MIB (RFC1628) werden unterstützt.

UPS MIB unterstützt

1. die Geräte-Identifizierungs-Gruppe
2. die Batterie-Gruppe
3. die Eingangs-Gruppe
4. die Ausgangs-Gruppe
5. die Alarm-Gruppe
6. die Konfigurations-Gruppe – nur `upsConfigLowBattTime` (UPS Konfig. geringe Batterie-Zeit)
7. Benachrichtigungen (z. B. Traps)

Sämtliche wichtigen Informationen hinsichtlich der UPS MIB stehen beim Anschluss des VER an das VE Bus-System zur Verfügung. Diese Informationen können unter Verwendung einer jeden verfügbaren SNMP Management Software (z. B. MIB Browser) abgerufen werden.

Die erste Konfiguration von SNMP-bezogenen Parametern sollte unter Verwendung der VGR Configure Software erfolgen. Die im Folgenden beschriebenen MIB und UPS MIB Variablen können auch unter Verwendung des Standard SNMP-Einstellungsbetriebes eingestellt werden. Alle diese Einstellungen werden im Flash gespeichert und sind nach dem Neustart noch vorhanden.

3.3.1 SNMP Community Strings

Konfiguration von Nur-Lese und Lese-Schreib- **Community** Strings.

1. Ein **RO Community** String wird für den "Nur Lesezugriff" verwendet. Der Standardwert ist *public* (öffentlich).
2. Ein **RW Community** String wird für den "Schreib-Lesezugriff" verwendet. Der Standardwert ist *private* (beschränkt).

Die **Community** Strings sollten dieselben sein, wie die des genutzten MIB Browsers.

Community Strings sollten aus druckbaren Zeichen bestehen und höchstens 32 Zeichen lang sein.

3.3.2 MIB Variablen für das System

Konfigurieren der **sysContact**, **sysName** und **sysLocation** Variablen.

1. **sysContact** : Identifizierung der Kontaktperson. Zum Beispiel: Dave Hum dave@hum.com. Standartwert ist ein leerer String.
2. **sysName** : Domainname. Zum Beispiel: *UPS#1.almere.victronenergy.com*. Standartwert ist ein leerer String.
3. **sysLocation** : Physischer Standort. Zum Beispiel: *Almere-Haven Büro, 2. Stock*. Standartwert ist ein leerer String.

Bitte beachten Sie auch `rfc1213` für eine umfassende Beschreibung der Variablen.

3.3.3 UPS MIB Variablen

Konfigurieren der Variablen **upsIdentName**, **upsIdentAttachedDevices** und **upsConfigLowBattTime**.

4. **upsIdentName**: String zur Identifizierung der UPS Zum Beispiel: *UPS mit einem roten Etikett*. Standartwert ist ein leerer String.
5. **upsIdentAttachedDevices**: angeschlossene Geräte. Zum Beispiel: *Ventilator, Kühlschränk*. Standartwert ist ein leerer String.
6. **upsConfigLowBattTime** : eine geschätzte Angabe der Minuten, für die ein ' Batterie schwach' Zustand noch anhält. Dieser Wert sollte von den Systemzwecken abhängig sein und individuell eingestellt werden. Der Standardwert für **upsConfigLowBattTime** ist 0.

Bitte beachten Sie auch `rfc 1628` für eine umfassende Beschreibung der Variablen.

3.3.4 Traps

Traps werden dazu verwendet, um die SNMP Management Software über bedeutende Veränderungen im System zu informieren, z. B.: die Verbindung zum VE.Bus System wurde unterbrochen, System läuft nicht, Auftreten verschiedener Alarme wie 'Batterie ist schwach' oder 'Batterie ist verbraucht' oder 'Eingang ist schlecht', Veränderung des Systemstatus wie z. B. 'System an Batterie' oder 'System aus'.

Sie können jedes verfügbare SNMP-Tool verwenden, um Traps zu empfangen.

Konfigurieren Sie die folgenden Traps-Parameter.

1. **Trap Community** String. Er sollte derselbe sein, wie für den Trap Listener. Der Standardwert für **Trap Community** ist *public* (öffentlich). **Trap Community** Strings sollten aus druckbaren Zeichen bestehen und höchstens 32 Zeichen lang sein.
2. **Trap Destination IP** – die IP-Adresse Ihres PCs, auf dem der Trap Listener läuft. Standardmäßig sind keine **Trap Destinations** konfiguriert.
3. **Trap Destination Port** – der UDP Port an Ihrem PC, auf dem der Trap Listener läuft. Der Standardwert für den **Trap Destination Port** ist 162.

3.4 SMS (optional)

Der SMS Modus ist verfügbar, wenn eine SIM-Karte installiert wurde und das Ethernet Remote in einem GSM-Netzwerk registriert ist.

Der SMS-Modus wird verwendet, indem Befehle von einem Mobiltelefon, oder einem anderen kompatiblen Gerät, versandt werden, wobei der SMS (Short Message Service), auch als Textnachrichten bezeichnet, verwendet wird. Informationen darüber, wie man eine SMS schickt, erhalten Sie im Handbuch Ihres Mobiltelefons.

Mit einer Textnachricht lässt sich vom Ethernet Remote der aktuelle Status des angeschlossenen VE.Bus-Geräts oder BMVs abfragen. Mithilfe von Textnachrichten lässt sich das Ethernet Remote auch konfigurieren.

Zusätzlich zum Versenden von angefragten Informationen kann das VER auch so konfiguriert werden, dass es bei bestimmten Vorkommnissen automatisch eine Alarmmeldung aussendet.

Anmerkungen zu den SMS-Nachrichten:

- Bei Befehlen wird nicht zwischen Groß- und Kleinschreibung unterschieden, also ist es nicht wichtig, welche Kombinationen aus Groß- oder Kleinbuchstaben verwendet werden. Bei einigen Parametern, (wie bei Passwörtern) wird jedoch sehr wohl zwischen Groß- und Kleinschreibung unterschieden.
- Es lassen sich mehrere Befehle in einer einzelnen Textnachricht spezifizieren. Es lassen sich mehrere Parameter für einen einzelnen Befehl spezifizieren.
- Die Anzahl der SMS-Nachrichten, die das Modem täglich sendet, ist begrenzt. Der Standardwert wurde auf 100 Nachrichten eingestellt. Diese Einstellung lässt sich durch einen SMS Befehl 'sms limit' (SMS Begrenzung) ändern.
- Bei der Verarbeitung von SMS-Befehlen stoppt das Modem sofort, wenn es beim Format des Befehls auf einen Fehler stößt. Wurden schon gültige Befehle erkannt, so werden diese normal ausgeführt. Die Antwort zeigt an, wo der Fehler gefunden wurde. Enthält die Nachricht jedoch keine gültigen Befehle, wird keine Antwort gesendet. (Hierdurch sollen hohe Rechnungen verhindert werden, die das Modem durch das Antworten auf automatische Nachrichten z. B. von Telefonverkäufern verursacht.) Sollte es notwendig sein, dass das Modem eine Antwort sendet (um zu bestimmen, warum der Befehl nicht verarbeitet wird), beginnen Sie die Nachricht mit *forcereply* (Antwort erzwingen).

3.4.1 Beispiele

Zur Abfrage des Status des VE. Bus Systems, senden Sie

```
vebus
```

Das VER wird dann mit dem Status des VE.Bus-Systems antworten:

```
System state (Systemzustand): inverter (Wechselrichter)
Alarms (Alarme): none (keine)
Warnings (Warnungen): none (keine)
DC: 26,51 V 9,02 A
AC in: 0 V 0,0 A 0 Hz
AC out: 229,8V 0,9A 50,0Hz
```

Zur Abfrage des Status eines angeschlossenen BMV, senden Sie

```
battery
```

Das Ethernet Remote antwortet dann mit dem aktuellen Status:

```
Battery (Batterie): 26,51 V, -0,15 A
Level 99%, 0 Ah
TTG (Restlaufzeit): 240 Ah
```

Um den Protokollierungszeitraum zu ändern senden Sie 'log' mit dem neuen Zeitraum. Will man zum Beispiel diesen Zeitraum auf zwei Minuten einstellen:

```
log period 2
```

Das Ethernet Remote antwortet dann mit der neuen Einstellung und dem letzten Protokoll:

```
LOG
Period: 2 min
Extra: off
Last log (letztes Protokoll): 1 minutes and 53 seconds ago (vor 1 min. und 53 sec.)
```

3.4.2 Übersicht über die SMS Befehle

Befehl	Parameter	Argument	Beschreibung
alert			Abfrage der aktuellen Alarmkonfiguration.
alert	on (ein)		Aktiviert Alarme und stellt die Alarmnummer auf die Nummer des Gerätes ein, das die Nachrichten aussendet (bis zu fünf verschiedene Nummern können festgelegt werden).
alert	off (aus)		Deaktiviert Alarme für die Nummer.
alert	state	on (ein)	Ab der Version 2.02. Aktiviert die Berichterstattung über Systemstatusänderungen (an Batterie/ AC-Eingangleistung ein). Dies funktioniert bei eingeschalteter Alarmfunktion.
alert	state	off (aus)	Ab der Version 2.02. Deaktiviert die Berichterstattung über Systemstatusänderungen (an Batterie/ AC-Eingangsleistung ein). Es handelt sich hierbei um eine Standardeinstellung.
battery			Abfrage von Informationen über die Batterie.
gsm			Abfrage von Informationen über die GSM Netzwerkverbindung, einschließlich der Signalstärke.
ip	eth		Abfrage der aktuellen IP Einstellungen für das Ethernet.
ip	eth dhcp	on (ein)	Aktiviert die automatische IP Konfiguration über DHCP.
ip	eth dhcp	off (aus)	Deaktiviert die automatische IP Konfiguration über DHCP.
ip	eth addr	<value>	Festlegung der statischen IP-Adresse.
ip	eth mask	<value>	Einstellung der Subnetzmaske
ip	eth gw	<value>	Einstellung des Standard-Gateways
ip	eth dns1	<value>	Einstellung des primären DNS Servers
ip	eth dns2	<value>	Einstellung des sekundären DNS Servers
log			Abfrage des aktuellen Protokollierungszeitraumes für den Web-Modus.
log	period	<period>	Einstellung des Protokollierungszeitraumes für den Web-Modus (in Minuten).
log	extra	on (ein)	Ab Version 2.02. Aktiviert das Senden von mehr Daten an den protokollierenden Webserver, wenn im VE.Bus-System ein Alarm/eine Warnung auftritt.
log	extra	off (aus)	Ab Version 2.02. Deaktiviert das Senden von mehr Daten an den protokollierenden Webserver, wenn im VE.Bus-System ein Alarm/eine Warnung auftritt. Es handelt sich hierbei um die Standardeinstellung.
sms			Abfrage der Anzahl an versendeten SMS Nachrichten und der Begrenzung.
sms	limit	<limit>	Einstellung der maximalen Anzahl an SMS Nachrichten pro Tag auf diesen Wert.
sms	reset		Setzt den Zähler auf null zurück, um erneutes Antworten zu ermöglichen.
vebus			Abfrage von Informationen über das VE.Bus-System.
vgr			Abfrage von Informationen über die Version des VER.

4 Fernbedienung von VEConfigure

Sämtliche Wechselrichter, Mult-Wechselrichter/-Ladegeräte und Quattros, die sich mit unserer VEConfigureII Software konfigurieren lassen, können auch mithilfe eines VGR und eines VER ferngesteuert konfiguriert werden.

Ausführlichere Hinweise zu diesem Verfahren finden Sie im Handbuch zur Fernbedienung von VEConfigure auf unserer Website, www.victronenergy.com. Das Dokument finden Sie, indem Sie das Schlüsselwort "remote VEConfigure" (Fernbedienung von VEConfigure) in das Suchfeld oben rechts eingeben.

Bitte beachten Sie, dass dieses Verfahren Textnachrichten sowie eine korrekt konfigurierte GPRS bzw. Ethernet Verbindung voraussetzt. Bei der Verwendung eines Victron Ethernet Remote benötigen Sie eine Sim-Karte im Modem sowie eine Ethernet-Verbindung.

EN

NL

FR

DE

ES

SE

5 Fehlerbehebung

5.1 LED Kodierung

Status des Modems (rote LED)	Erklärung
Aus	Modem ohne Stromversorgung
Leuchtet ununterbrochen	Modem ist mit der Stromversorgung verbunden, jedoch nicht an das GSM-Netzwerk angeschlossen.
Blinkt langsam	An das Netzwerk angeschlossen, und im Ruhezustand.
Blinkt schnell	An das Netzwerk angeschlossen, aktueller Anruf

Ethernet Link Status (grüne LED)	Erklärung
Aus	Keine Verbindung erkannt. Überprüfen Sie den Kabelanschluss.
Ein	Verbindung erkannt. Beachte: Ethernet mit einer Übertragungsrate von 10 Mbit/s

Ethernet Link Aktivität (gelbe LED)	Erklärung
Aus	Keine Aktivität im Ethernet Segment
Blinkt	Aktivität im Ethernet Segment

5.2 Häufige Probleme

Problem: Das Modem lässt sich nicht mit dem GSM-Netzwerk verbinden.

Mögliche Ursachen:

- PIN-Schutz auf der SIM-Karte ist noch aktiviert. Überprüfen Sie dies, indem Sie die SIM-Karte in ein normales Telefon einlegen und es einschalten. Beim Einschalten des Telefons sollte dieses **nicht** nach dem Pin-Code fragen, auch nicht nach 0000. Lösung: Schalten sie den PIN-Schutz aus.

- Kein Netzwerk-Empfang. Bewegen Sie das Modem oder verwenden Sie eine andere Antenne. Versuchen Sie das Modem an einem Ort in Betrieb zu nehmen, wo Sie mit einem normalen GSM-Telefon vollen Empfang haben. Sie können dies überprüfen, ohne, dass der Multi bzw. BMV-602 angeschlossen ist.

- Der Schlitz für die SIM-Karte ist nicht ordnungsgemäß geschlossen: Stellen Sie sicher, dass Sie den schwarzen Schieber über der SIM schließen.

Problem: Ich erhalte eine SMS mit der Nachricht "Warning MK2 version [version number] not supported" (Warnung, MK2 Version (Nummer) nicht unterstützt.).

Ursache: Die älteste Version des MK2, die unterstützt wird, ist die Version 1130125. Bitte verwenden Sie den MK2, der mit dem Ethernet Remote mitgeliefert wurde. Sie können den MK2 auch an einen Computer anschließen, der über die aktuellste Version von VE.Configure verfügt. Dadurch wird er automatisch aktualisiert.

Problem: Ich erhalte eine SMS mit der Nachricht "Warning target version [version number] not supported" (Warnung, Zielversion (Nummer) nicht unterstützt).

Ursache: Die älteste unterstützte Version des VE.Bus-Geräts ist die Version 19xx111.

Problem: Das VE.Bus-Gerät (Multi/Wechselrichter/Quattro) schaltet sich ab, wenn ich es mit dem MK2 verbinde.

Ursache: Beim MK2 müssen die beiden Überbrückungen entfernt werden. Bitte beachten Sie: Diese Überbrückungen sind bei dem mit dem Victron Ethernet Remote mitgelieferten MK2 schon entfernt.

6 Technische Daten

Victron Ethernet Remote	
Spannungsbereich Stromversorgung	5,5 bis 32 VDC
Stromaufnahme (max.)	0,48 A bei 5,5 VDC
Betriebstemperatur- Bereich	-30 C bis 75 C
GEHÄUSE	
Maße	73 x 54,5 x 25,5
Gewicht	89 Gramm
LAN	
Unterstützte Standards	IEEE 802.3, 10Base-T
Stecker-Typ	abgeschirmter RJ-45
USB	
Unterstützte Standards	USB 2.0
Stecker-Typ	Mini-B

EN

NL

FR

DE

ES

SE

1 Introducción

1.1 Presentación de Victron Energy

Victron Energy ha establecido una reputación internacional como diseñador y fabricante líder de sistemas energéticos. Nuestro departamento de I+D es la fuerza que mantiene esta reputación. Se encuentra siempre buscando nuevas maneras de incorporar la última tecnología en nuestros productos. Cada paso adelante significa valor añadido, en forma de características técnicas y económicas.

1.2 Presentación de Victron Remote Management (gestión a distancia de Victron)

Victron Ethernet Remote (VER)

El Victron Ethernet Remote es un módem GSM/GPRS con varias interfaces:

- Un puerto serie para controlar un dispositivo VE.Bus o un monitor de baterías BMV. Un dispositivo VE.Bus podría ser, por ejemplo, un cargador/inversor Multi, un inversor o un Quattro.
- Un puerto Ethernet para el control remoto vía Internet/Intranet (a un servidor central y como unidad autónoma con servidor web incorporado).
- Una conexión USB para PC con fines de configuración.

Victron Remote Management (VRM)

Victron Remote Management es el nombre de un sistema que consiste en un módem y una página web de seguimiento.

Para ver el sistema: diríjase a <https://vrm.victronenergy.com>, y acceda a "Victron Remote Management" a través del menú "Login" que se encuentra en la parte superior derecha de la página.

Nombre de usuario: demo@victronenergy.com

Contraseña: vrmdemo

2 Antes de empezar

2.1 Contenido de la caja

El embalaje del VER debería contener lo siguiente:

	Victron Ethernet Remote
	Adaptador Ethernet
	Bridas de montaje
	Antena GSM
	Cable de alimentación con fusible
	MK2.2A
	Cable serie (DB-15 macho a DB-9 macho)
	Cable USB para configuración mediante ordenador

2.2 Accesorios opcionales

- Cable de red (UTP) para conectar el módem a su red;
- Tarjeta SIM con el PIN de seguridad desactivado;
- Kit de conexión entre Global Remote y BMV-60XS (VGR900100000).

2.3 Instalación

- Apuntar el número IMEI.
Antes de montar el módem, apunte el número IMEI en el espacio previsto para ello en la contraportada de este manual. Se trata de un número de 15 dígitos que sirve para identificar su módem al abrir una cuenta en el sitio web del VRM, <https://vrm.victronenergy.com>.
- Conecte el adaptador Ethernet al módem y conéctelo a su conmutador o router.
- Conexión a un VE.Bus o BMV.
 - Para el VE.Bus, utilice el cable DB-15 macho a DB-9 macho, suministrado con el módem. Conecte el MK2.2A al cable serie. Conecte el extremo contrario del MK2.2A a su sistema VE.Bus con un cable RJ45 UTP.
 - En el caso del BMV, conecte el Global Remote al cable conector del BMV-60xS entre el BMV y el Ethernet Remote. Este cable debe comprarse por separado.
- (opcional) Inserte la tarjeta SIM y monte la antena.
- Utilice el cable de alimentación suministrado para alimentar el Victron Ethernet Remote. El rango de tensión permitido se encuentra entre 5,5 y 32 VCC.
- Compruebe el LED indicador de tensión.
El LED indicador de tensión es rojo y se encuentra al lado de la ranura de la tarjeta SIM. El LED deberá estar encendido permanentemente en ROJO cuando no esté utilizando una tarjeta SIM. Cuando esté utilizando una tarjeta SIM, deberá parpadear, indicando que está conectado a la red GSM. Para más información sobre el LED, consulte la capítulo 5.1.
- Compruebe el LED de la Ethernet.
Estos LED están situados junto al enchufe USB. El LED de enlace, verde, debería estar encendido. El LED de actividad, amarillo, parpadea si hay actividad en el segmento ethernet.

Diagrama del VER con BMV

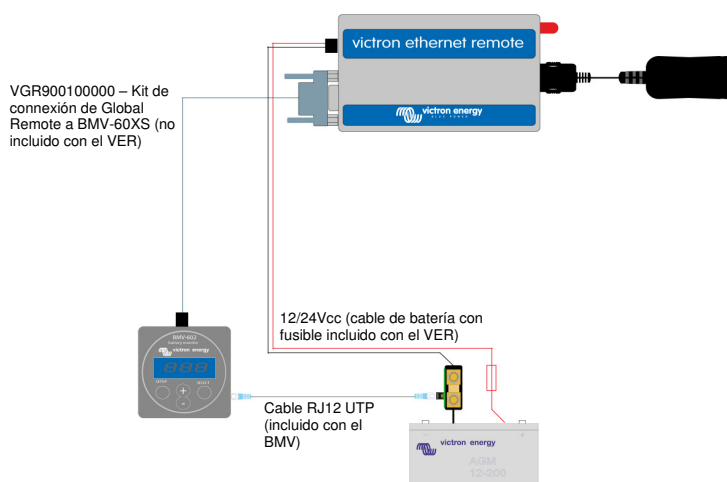
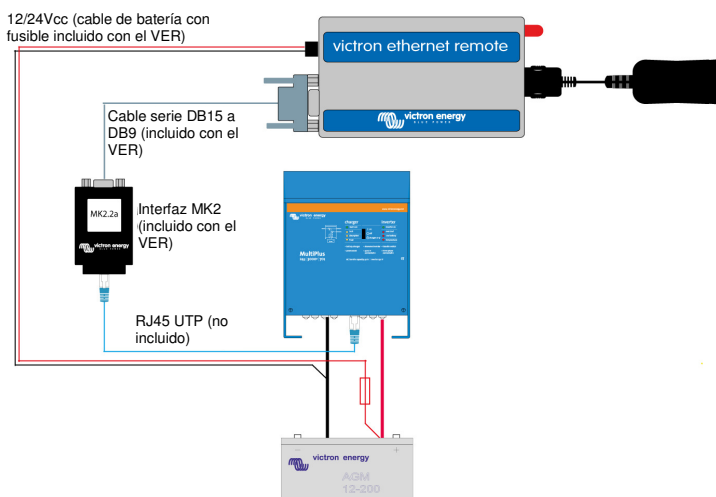


Diagrama del VER con VE.Bus



2.4 Configuración

Para la configuración inicial se recomienda utilizar el software de configuración del dispositivo, el VGR Configure. Este software puede descargarse desde nuestro sitio web.

1. Descargue, instale y arranque el VGR Configure en su PC.
2. Conecte el Ethernet Remote a su PC con el cable USB suministrado.
3. Abra la primera pantalla de configuración '*Change general settings*' (cambiar parámetros generales).
4. Seleccione el tipo de dispositivo conectado en '*Monitored device*'. (dispositivo controlado).
5. Sincronice el reloj del Ethernet Remote con el del ordenador pulsando el botón correspondiente.
6. Para aplicar los nuevos valores pulse el botón *Save* (guardar) y espere a que aparezca de nuevo la interfaz del Ethernet Remote una vez aceptados los nuevos valores.
7. Seleccione el menú *Change network settings* (cambiar parámetros de red) y en la pestaña *Ethernet* configure/compruebe los valores IP. Pregunte a su administrador de red la configuración correcta (si piensa usar el VER en modo autónomo, consulte la sección consejos en 3.1).
8. Configure/compruebe los parámetros SNMP en la pestaña correspondiente (si fuese necesario). Ver 3.2 para más información.
9. Seleccione la pestaña *Web interface* si desea cambiar los valores por defecto de las credenciales HTTP. Ver 3.1 para más información.
10. Para aplicar los nuevos valores pulse el botón *Save* (guardar) y espere a que aparezca de nuevo la interfaz del VER tras aceptar los nuevos valores.

3 Utilización del Victron Global Remote

Se puede consultar la información de su sistema Victron de cuatro formas distintas.

- Modo autónomo (sitio web incorporado).
- Modo web (registrando datos en el sitio web de Victron Remote Management).
- SNMP (Simple Network Management Protocol - protocolo simple de gestión de redes).
- Mensajes de texto SMS.

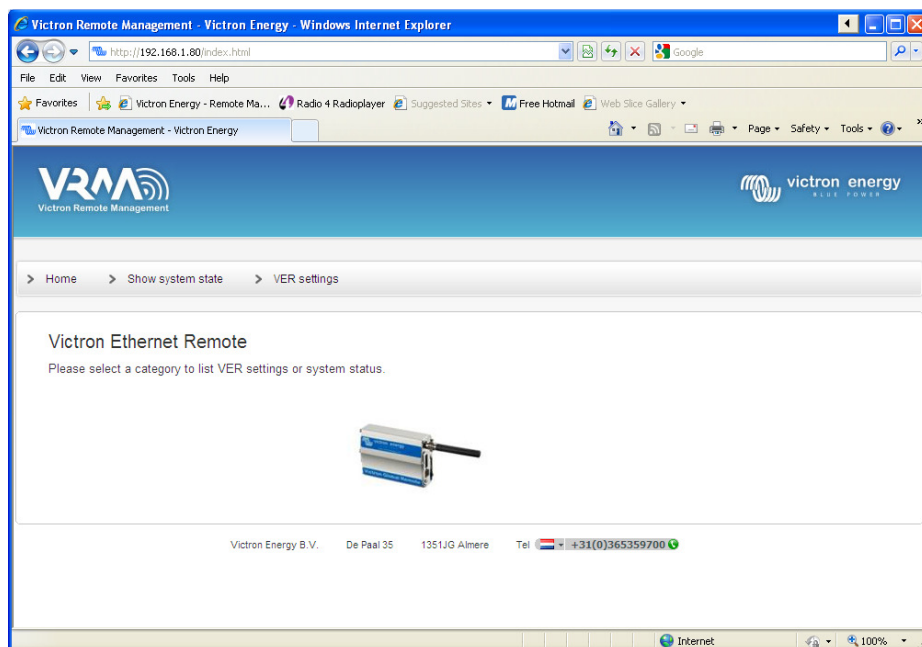
Todos estos modos pueden utilizarse simultáneamente. El modo autónomo siempre está disponible, El modo Web requiere una conexión a Internet. El modo SMS está disponible cuando el Ethernet Remote está registrado en una red GSM.

3.1 Modo autónomo

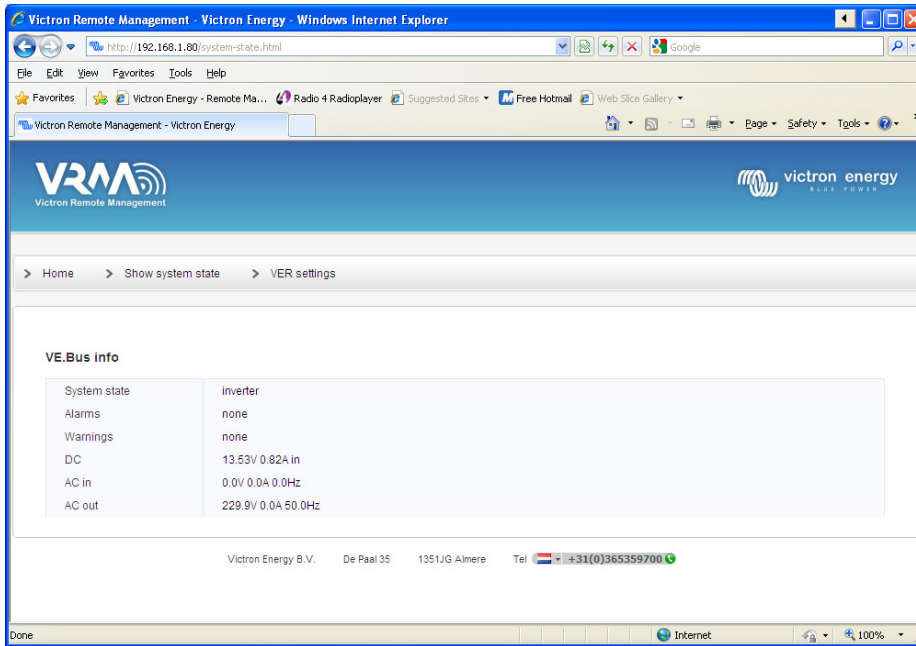
En este modo, los datos reales se controlan mediante el navegador de Internet. No se necesita ninguna conexión a Internet. El protocolo DHCP asigna por defecto los valores IP automáticamente. Los valores IP actuales pueden consultarse usando el software de VGR Configure.

Consejo: Pida a su administrador de red que configure el servidor DHCP para que asigne siempre la misma dirección IP al VER. La dirección MAC de Ethernet (6 bytes hexadecimales separados por signos de punto y coma) se encuentra en la parte inferior del módem. Otra opción es la de asignar una IP estática utilizando el software de VGR Configure.

Abra el navegador de Internet en el PC, introduzca la dirección IP de su VER en el campo de direcciones del navegador y aparecerá la página de inicio del mismo. Por ejemplo:



Para controlar los dispositivos conectados al VER haga clic en **Show system state**(mostrar estado del sistema). Por ejemplo:



The screenshot shows a web browser window displaying the Victron Remote Management (VRM) interface. The browser's address bar shows the URL `http://192.168.1.80/system-state.html`. The page features the VRM logo on the left and the Victron Energy logo on the right. A breadcrumb trail indicates the current location: `Home > Show system state > VER settings`. The main content area is titled "VE.Bus info" and contains a table with the following data:

System state	inverter
Alarms	none
Warnings	none
DC	13.53V 0.82A in
AC in	0.0V 0.0A 0.0Hz
AC out	229.9V 0.0A 50.0Hz

At the bottom of the page, contact information is provided: "Victron Energy B.V., De Paal 35, 1351 JG Almere, Tel: +31(0)365359700". The browser's status bar at the bottom shows "Done" and "Internet" connectivity.

Para ver los ajustes actuales del VER haga clic en **VER settings**(Ajustes VER). Por ejemplo:



Nota: Estas páginas se actualizan automáticamente cada 5 minutos.

3.1.1 Cambio de los ajustes del VER con el navegador.

Para configurar el VER, dirijase a "VER Settings" y pulse el botón *Update* (actualizar). Se le pedirá un nombre de usuario y una contraseña. El nombre de usuario por defecto es **admin** y la contraseña **victron_vrm**.

Para cambiar las credenciales por defecto, utilice el software de VGR Configure. También podrá prohibir la actualización del VER mediante un navegador de Internet. seleccione *No authentication* (Sin autenticación).

Nota: Para configurar la IP estática a través del navegador, introduzca en primer lugar los valores de la dirección IP estática, ponga la opción "obtain an IP automatically" (obtener IP automáticamente) en *off* y a continuación registre dichos valores pulsando el botón *Update* (Actualizar).

- EN
- NL
- FR
- DE
- ES
- SE

3.2 Modo Web

Por defecto, el Ethernet Remote intenta registrar datos periódicamente en el sitio web central, <https://vrm.victronenergy.com>, para su posterior consulta. Para ello, el Ethernet Remote debe tener acceso a Internet a través de su red de área local o de la red GPRS.

Para revisar estos datos, diríjase a <https://vrm.victronenergy.com> y cree una cuenta. Una vez se haya registrado, haga clic en "Add a site link" (añadir el enlace a una página web) que se encuentra en la izquierda de la pantalla, introduzca el número de serie de su VER que se encuentra en la caja suministrada, y después haga clic en "Add site button" (añadir botón para el sitio web). Su dispositivo no aparecerá en la lista de la parte superior izquierda de la página. Seguramente querrá cambiar la descripción del dispositivo por algo más representativo.

Consejo: Se pueden añadir varios dispositivos a una misma cuenta.

Haga clic en la descripción del dispositivo en la parte superior izquierda para ver los datos.

Nota: Pregunte a su administrador de red si necesita un servidor proxy HTTP para acceder a los sitios web en Internet. En ese caso, deberá configurar el servidor proxy HTTP con la ayuda de la herramienta correspondiente de VGR Configure.

3.3 SNMP

La opción SNMP (Simple Network Management Protocol - protocolo simple de gestión de redes) está activado de fábrica. Compatible con SNMPv1 y SNMPv2c. Admite los sistemas MIB (RFC1213) y UPS MIB (RFC1628).

Soportes de UPS MIB

1. Grupo de identificación de dispositivo
2. Grupo de batería
3. Grupo de entrada
4. Grupo de salida
5. Grupo de alarma
6. Grupo de configuración - sólo upsConfigLowBattTime
7. Notificaciones (p.ej. "traps")

Al conectar el VER al sistema VEBus estará disponible toda la información esencial relacionada con UPS MIB. Se puede obtener esta información utilizando cualquier software de gestión SNMP (como el MIB Browser).

La configuración inicial de los parámetros del SNMP deberá realizarse con el software de VGR Configure.

Las variables de los sistemas MIB y UPS MIB que se describen más abajo también pueden establecerse mediante una operación SNMP estándar. Toda la configuración se guarda en flash y se conserva al reinicio.

3.3.1 Cadenas comunitarias SNMP

Configure las **Cadenas comunitarias** sólo lectura y lectura-escritura.

1. La **Cadena comunitaria RO** se utiliza para un acceso de sólo lectura. El valor por defecto es *public*.
2. La **Cadena comunitaria RW** se utiliza para un acceso de lectura-escritura. El valor por defecto es *private*.

Las **Cadenas comunitarias** deberán ser las mismas que las del navegador MIB que está utilizando.

Los caracteres de las **Cadenas comunitarias** deberán poder imprimirse y tendrán una longitud igual o menor a 32.

3.3.2 Variables del sistema MIB

Configure las variables **sysContact**, **sysName** y **sysLocation**.

1. **sysContact** : Identidad de la persona de contacto. Por ejemplo: Dave Hum dave@hum.com. El valor por defecto es una cadena vacía.
2. **sysName** : nombre de dominio. Por ejemplo: *UPS#1.almere.victronenergy.com*. El valor por defecto es una cadena vacía.
3. **sysLocation** : La ubicación física. Por ejemplo: *Almere-Haven office, 2-nd floor*. El valor por defecto es una cadena vacía.

Consulte rfc1213 para la descripción completa de todas las variables.

3.3.3 Variables del UPS MIB

Configure las variables **upsldentName**, **upsldentAttachedDevices** y **upsConfigLowBattTime**.

1. **upsldentName** : cadena de caracteres que identifica al UPS. Por ejemplo: *UPS con etiqueta roja*. El valor por defecto es una cadena vacía.
2. **upsldentAttachedDevices**: dispositivos conectados. Por ejemplo: *Ventilador, frigorífico*. El valor por defecto es una cadena vacía.
3. **upsConfigLowBattTime** : la estimación del tiempo que falta para que se declare la condición de "Batería baja". Este valor dependerá de los objetivos del sistema y pueden establecerse individualmente. El valor por defecto de **upsConfigLowBattTime** es 0.

Consulte rfc1628 para la descripción completa de todas las variables.

3.3.4 "Traps" (Alarmas)

Las "traps", o alarmas, se utilizan para notificar al software de gestión del SNMP los cambios importantes en el sistema, como pueden ser la pérdida de conexión con el sistema VE.Bus, la parada del sistema, las distintas alarmas que puedan darse, como 'Batería baja', o 'Batería vacía' o 'Entrada defectuosa', o cambios en el estado del sistema, como 'Sistema conectado a batería' o 'Sistema apagado'. Utilice cualquier variable SNMP para recibir "traps".

Configure los siguientes parámetros de "traps".

1. **Cadena comunitaria de Traps**. Deberá ser la misma que la asignada al receptor de "traps". El valor por defecto de la **Cadena comunitaria de Traps** es *public*. Los caracteres de las **Cadenas comunitarias de Traps** deberán poder imprimirse y tendrán una longitud igual o menor a 32.
2. **IP de Destino de las Traps** – la dirección IP del PC dónde tiene instalado el receptor de traps. Por defecto, no hay ningún **Destino de Traps** configurado.
3. **Puerto de Destino de Traps** – el puerto UDP del PC dónde tiene instalado el "trap listener". El valor por defecto del **Puerto de Destino de Traps** es 162.

3.4 SMS (opcional)

El modo SMS está disponible sólo cuando hay una tarjeta SIM instalada y el Ethernet Remote está registrado en una red GSM.

El modo SMS se utiliza enviando comandos desde un teléfono móvil, u otros dispositivos compatibles, por medio de SMS (servicio de mensajes cortos, también conocidos como mensajes de texto). Para obtener información sobre cómo enviar un SMS, consulte el manual de su teléfono móvil.

Con un mensaje de texto se puede solicitar al Ethernet Remote un informe sobre el estado actual del dispositivo VE.Bus o BMV conectado. Los mensajes de texto también pueden utilizarse para configurar el Ethernet Remote.

Además de enviar información cuando se le solicite, el VER también puede configurarse para enviar automáticamente una alerta bajo ciertas circunstancias.

Observaciones sobre los mensajes SMS:

- Los comandos no distinguen entre mayúsculas y minúsculas, de manera que no importa la combinación de mayúsculas o minúsculas que utilice. Sin embargo, algunos parámetros, como las contraseñas, sí pueden hacer la distinción.
- Se pueden enviar varios comandos en un solo mensaje. Se pueden especificar varios parámetros para un solo comando.
- La cantidad de mensajes SMS que puede enviar el módem en un día es limitada. Por defecto esta cantidad está fijada en 100 mensajes. Esta configuración puede cambiarse por medio del comando SMS "sms limit".
- Al procesar los comandos SMS, el módem se detendrá tan pronto como encuentre un error en el formato de un comando. Se ejecutarán normalmente todos los comandos válidos que se encuentren, y el informe de respuesta indicará dónde se ha encontrado el error. Sin embargo, si el mensaje no contuviera ningún comando válido, no se enviará ninguna respuesta (evitando así abultadas facturas provocadas por las respuestas automáticas del módem a mensajes automáticos, como pueden ser los mensajes publicitarios). Si fuese necesaria la respuesta del módem (para determinar por qué el comando no está siendo procesado), empiece el mensaje con *forcereply* (respuesta forzada).

3.4.1 Ejemplos

Para solicitar el estado del sistema VE.Bus, envíe:

```
vebus
```

El VER le contestará describiéndole el estado del sistema VE.Bus:

```
System state (estado del sistema): inverter (inversor)
Alarms (alarmas): none (ninguna)
Warnings (avisos): none (ninguno)
DC (CC): 26.51V 9.02A
AC in: 0V 0.0A 0Hz
AC out: 229.8V 0.9A 50.0Hz
```

Para solicitar el estado del BMV conectado, envíe:

```
battery
```

El Ethernet Remote contestará con el estado actual del mismo:

```
Battery: 26.51V, -0.15A
Level 99%, 0Ah
TTG (tiempo restante): 240h
```

Para cambiar el periodo de registro, envíe "log" (registro) con el nuevo periodo; a continuación, le ofrecemos un ejemplo que establece el periodo en 2 minutos:

```
log period 2
```

El Ethernet Remote contestará con la nueva configuración y el último registro:

```
LOG
Period: 2min
Extra: off
Last log (último registro): 1 minutes and 53 seconds ago (hace 1 minuto y 53 segundos)
```

3.4.2 Listado de comandos SMS

Comando	Parámetro	Argumento	Descripción
alert			Solicita información sobre la configuración actual de la alerta.
alert	on		Habilita las alarmas y establece el tipo de alarma según el tipo enviado por el dispositivo (se pueden asignar hasta 5 tipos de alarma distintos)..
alert	off		Deshabilita las alarmas.
alert	state	on	A partir de la versión 2.02 Permite informar sobre cambios en el estado del sistema (si está activada batería/potencia de entrada CA); esto funcionará si las alarmas están activadas.
alert	state	off	A partir de la versión 2.02 Desactiva el sistema de informes sobre cambios en el sistema (si está activada batería/potencia de entrada CA). Este es un parámetro por defecto.
battery			Solicita información sobre la batería.
gsm			Solicita información sobre la conexión a la red GSM, incluyendo la potencia de la señal.
ip	eth		Solicita los valores actuales de la IP para Ethernet
ip	eth dhcp	on	Activa la configuración IP automática vía DHCP
ip	eth dhcp	off	Desactiva la configuración IP automática vía DHCP
ip	eth addr	<value>	Establece la dirección IP estática
ip	eth mask	<value>	Establece la máscara de subred
ip	eth gw	<value>	Establece la pasarela por defecto
ip	eth dns1	<value>	Establece el servidor DNS primario
ip	eth dns2	<value>	Establece el servidor DNS secundario
log			Solicita el periodo actual de registro para el modo Web.
log	period	<period>	Establece el periodo de registro para el modo Web (en minutos).
log	extra	on	A partir de la versión 2.02. Permite enviar datos adicionales al servidor de registro cuando se produce una alarma/aviso en el sistema VE.Bus.
log	extra	off	A partir de la versión 2.02. Desactiva el envío de datos adicionales al servidor de registro cuando se produce una alarma/aviso en el sistema VE.Bus. Esta es la configuración por defecto.
sms			Solicita información sobre la cantidad de mensajes SMS enviados y el límite de los mismos.
sms	limit	<limit>	Establece la cantidad máxima de mensajes SMS que pueden enviarse en un día.
sms	reset		Pone el contador a cero para permitir el envío de nuevas respuestas.
vebus			Solicita información sobre el sistema VE.Bus.
vgr			Solicita información sobre la versión del VER.

4 VEConfigure Remoto

Todos los inversores, inversores/cargadores Multi y Quattro que pueden configurarse con nuestro software VEConfigureII, también puede configurarse de forma remota con un VGR y un VER.

Para una explicación pormenorizada del procedimiento, consulte el manual del Remote VEConfigure Remoto en nuestro sitio web, www.victronenergy.com. Para obtener el documento, introduzca "remote VEConfigure" en el campo de búsqueda que se encuentra en la parte superior derecha de nuestro sitio web.

Tenga en cuenta que el procedimiento requiere mensajes de texto SMS y una conexión GPRS o Ethernet correctamente configurada. Para utilizar el Victron Ethernet Remoto deberá disponer de una tarjeta SIM instalada en el módem, así como de una conexión Ethernet.

EN

NL

FR

DE

ES

SE

5 Resolución de problemas

5.1 Códigos LED

Estado del módem (LED rojo)	Explicación
Off	El módem no tiene alimentación
Fija	El módem tiene alimentación, pero no está conectado a la red GSM.
Parpadeo lento	Conectado a la red y en espera
Parpadeo rápido	Conectado a la red, llamada en curso

Estado del enlace Ethernet (LED verde)	Explicación
Off	No se detecta ningún enlace. Compruebe la conexión del cable.
On	Enlace detectado. Nota: El Ethernet es de 10 Mbit/s

Actividad del enlace Ethernet (LED amarillo)	Explicación
Off	Ninguna actividad en el segmento Ethernet
Parpadeo	Actividad en el segmento Ethernet

5.2 Problemas más comunes

Problema: El módem no se conecta a la red GSM

Causas posibles:

- La tarjeta SIM sigue con el PIN de seguridad habilitado. Compruébelo poniendo la tarjeta SIM en un teléfono normal y encendiéndolo. Al encenderse, el teléfono **no** debería solicitar el código PIN, ni siquiera el 0000. Solución: deshabilite el PIN de seguridad.

- Sin recepción de red. Intente mover el módem a otro lugar o utilice una antena distinta. Intente situar el módem en un lugar en el que tenga plena cobertura con un teléfono GSM normal. Puede comprobar esto con el Multi o el BMV-602 desconectados.

- La ranura de la tarjeta SIM del módem no está bien cerrada: Asegúrese de cerrar la tapa deslizante negra que hay sobre la tarjeta SIM.

Problema: Recibo un SMS con el mensaje "Warning MK2 version [version number] not supported" (atención, versión MK2 [número de versión] no compatible).

Causa: La versión MK2 compatible más antigua es 1130125. Utilice el MK2 suministrado con el Ethernet Remote. También puede conectar el MK2 a un ordenador que tenga instalada la última versión de VE.Configure, y se actualizará automáticamente.

Problema: Recibo un SMS con el mensaje "Warning target version [version number] not supported" (atención, versión objetivo [número de versión] no compatible..)

Causa: La versión mínima compatible del dispositivo VE.Bus es 19xx111.

Problema: El dispositivo VE.Bus (Multi/Invertir/Quattro) se apaga cuando lo conecto al MK2.

Causa: Hay que retirar los dos puentes del MK2. Observación: estos puentes ya han sido retirados en el MK2 suministrado con el Victron Ethernet Remote.

6 Especificaciones

Victron Ethernet Remote	
Rango de tensión de la fuente de alimentación	5,5 a 32VDC
Consumo eléctrico (máx.)	0,48A @ 5,5VDC
Rango de temp. de trabajo	-30°C a 75°C
CARCASA	
Medidas	73 x 54,5 x 25,5
Peso	89 gramos
LAN	
Estándares compatibles	IEEE 802.3, 10Base-T
Tipo de conector	RJ45 apantallado
USB	
Estándar compatible	USB 2.0
Tipo de conector	Mini-B

EN

NL

FR

DE

ES

SE

1 Introduktion

1.1 Introduktion av Victron Energy

Victron Energy har skapat sig ett internationellt rykte som en ledande utvecklare och tillverkare av energisystem. Vår R&D-avdelning är den drivande kraften bakom denna image. De söker kontinuerligt efter nya sätt att inkorporera den senaste tekniken i våra produkter. Varje steg framåt resulterar i tekniska och ekonomiska förbättringar.

1.2 Introduktion av Victron Remote Management

Victron Ethernet Remote (VER)

Victron Ethernet Remote är ett GSM/GPS modem med flera gränssnitt:

- En seriell port för övervakning av endera en VE.Bus produkt eller ett BMV Batteriövervakningsystem. Produkter med VE.Bus är till exempel vår Multi växelriktare/laddare Växelriktare eller Quattro enheter.
- En Ethernet port för fjärrövervakning via Internet/Intranet (till en central webb-server och som en fristående enhet med inbyggd webb-server).
- USB anslutningen till PC för konfigurering.

Victron Remote Management (VRM)

Victron Remote Management är namnet på ett system som består av ett modem och en webbplats för övervakning.

För att få en uppfattning om detta ber vi dig gå till <https://vrm.victronenergy.com>, och logga in på "Victron Remote Management" via inloggningsmenyn i överst till höger på sidan.

Användarnamn: demo@victronenergy.com

Lösenord: vrmdemo

EN

NL

FR

DE

ES

SE

2 Att komma igång

2.1 Paketet innehåller följande

VER-paketet bör innehålla följande komponenter:

	Victron Ethernet Remote (VER)
	Ethernet adapter
	Monteringsskenor
	GSM Antenn
	Nätkablage med inline säkring
	MK2.2A
	Seriell kabel (DB-15 till hankontaktkabeln DB-9)
	USB kabel för konfigurering via PC

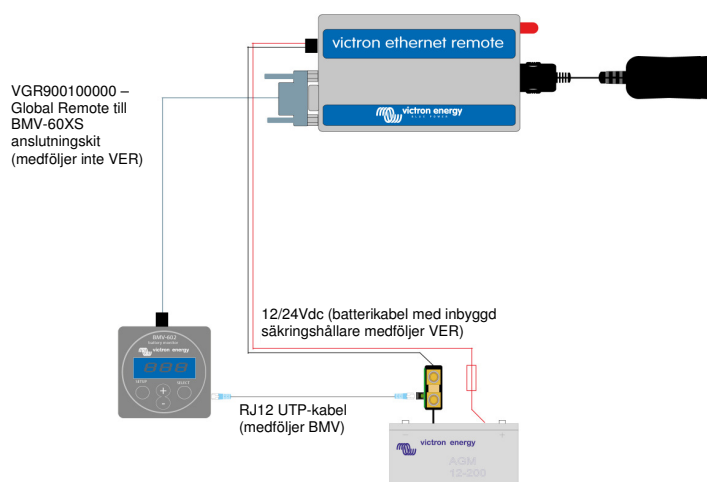
2.2 Tillbehör

- Nätverkskabel (UTP) för anslutning av modem till ditt nätverk;
- SIM-kort med PIN-kod inaktiverad;
- Global Remote till BMV-60XS anslutn. sats (VGR900100000).

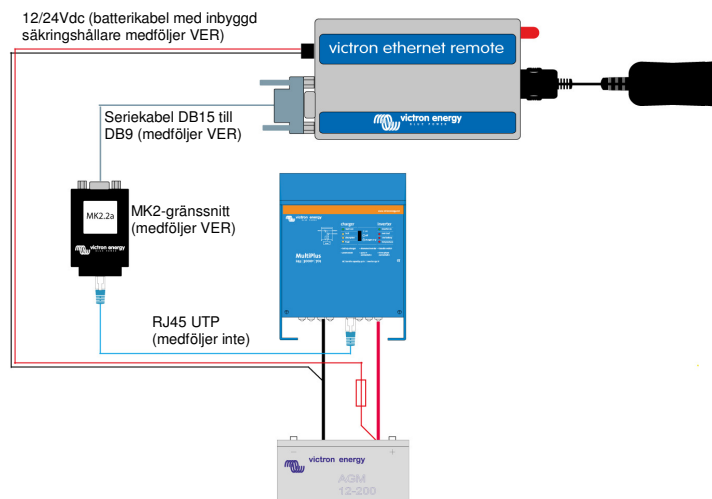
2.3 Installation

1. Anteckna IMEI numret.
Innan du monterar modemmet, anteckna IMEI numret på avsedd plats baktill på manualen. Det är ett nummer med 15 siffror och används för att identifiera ditt modem när du lägger upp ett konto på VRM webbsidan, på <https://vrn.victronenergy.com>.
2. Fäst Ethernet adaptern på modemmet och anslut det till din switch eller router.
3. Anslut till VE.Bus eller en BMV.
 - a. För VE.Bus ska du använda hankontakten DB-15 till hankontaktkabeln DB-9, som medföljer modemmet. Anslut den andra sidan på MK2.2A till ditt VE.Bus system med en RJ45 UTP kabel.
 - b. För MWV anslut Global Remote till BMV-60xS anslutningskabel mellan BMV och Ethernet Remote. Denna kabel måste anskaffas separat.
4. (extra) sätt in SIM-kortet och montera antennen.
5. Använd den levererade nätkabeln för att ansluta Victron Ethernet Remote till nätet. Tillåtet spänningsområde är 5.5 till 32 VDC.
6. Kontrollera LED.
LED för nätet lyser röd och är placerad intill platsen för SIM-kortet. LED skall vara permanent tänd och lysa med RÖTT ljus när du inte använder SIM-kortet. När du använder SIM-kortet skall LED blinka, och indikera anslutning till GSM nätet. För ytterligare förklaring av röd LED, se kapitel 5.1.
7. Kontrollera LED för Ethernet.
Dessa LED är placerade vid sidan om USB uttaget. Den vänstra LED, grön, skall vara tänd. LED för att visa aktivitet, är gul, och blinkar när aktivitet pågår i Ethernet-segmentet.

Schema för VER med BMV



Schema för VER med VE.Bus



2.4 Konfigurering

För inledande konfiguration rekommenderar vi att konfigurera enheten med konfigurationsprogrammet, VGR Configure. Programvaran kan laddas ner från vår webbplats.

1. Ladda ner, installera och starta VGR Configure på din PC.
2. Anslut Ethernet Remote till din PC med hjälp av den medföljande USB-kabeln.
3. Öppna först konfigurationsskärm bilden, "*Change general settings*".
4. Välj den anslutna typen av enhet i "*Monitored device*".
5. Synkronisera Ethernet Remote klockan med PC klockan genom att trycka på motsvarande knapp.
6. För att tillämpa de nya värdena, tryck på *Save* knappen och vänta tills Ethernet Remote kommer upp igen efter att de nya värdena har programmerats.
7. Välj *Change network settings* menyn och på *Ethernet* fliken konfigurera/kontrollera IP inställningarna. Fråga din nätverksadministratör efter rätt konfiguration (om du avser att använda VER fristående, hänvisning till Tips i 3.1).
8. Konfigurera/kontrollera SNMP inställningarna på motsvarande flik (vid behov). Se 3.2 för fler uppgifter.
9. Välj *Web interface* fliken om du vill ändra standardvärdena för HTTP. Se 3.1 för fler uppgifter.
10. För att tillämpa nya värden, tryck på *Save* knappen och vänta tills VER kommer upp igen efter programmering av de nya värdena.

3 Att använda Victron Ethernet Remote

Information om ditt Victron system kan du hämta på fyra olika sätt:

- Fristående modell (den inbäddade webbplatsen).
- Webbläge (Inloggning av data på webbplatsen för Victron Remote Management)
- SNMP (Simple Network Management Protocol)
- SMS textmeddelande.

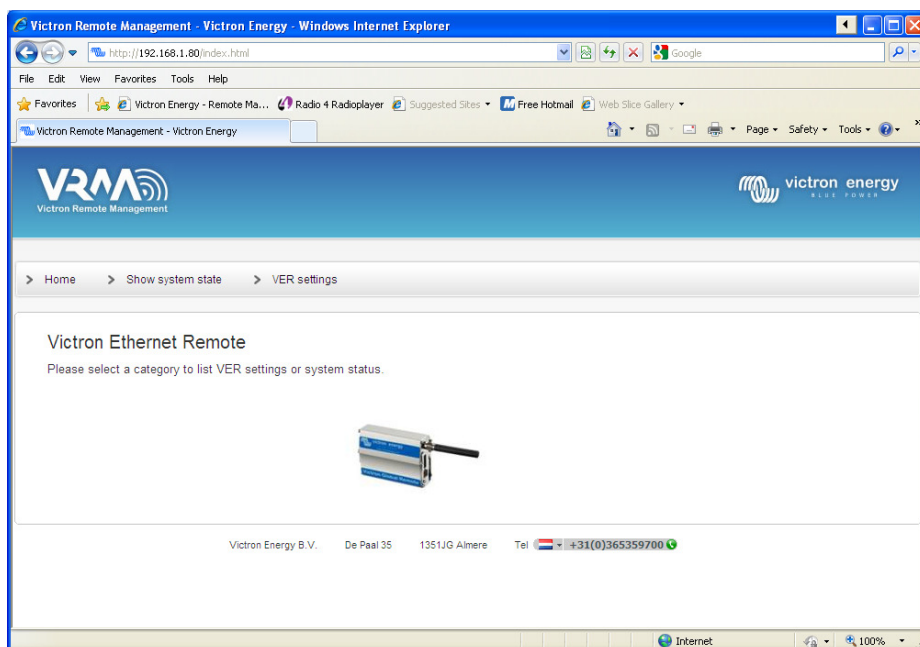
Alla de olika sätten kan användas samtidigt. Det fristående läget är alltid tillgängligt. Webbläget kräver en internetanslutning. SMS läget är tillgängligt när Ethernet Remote är registrerat i ett GSM nätverk.

3.1 Fristående läge

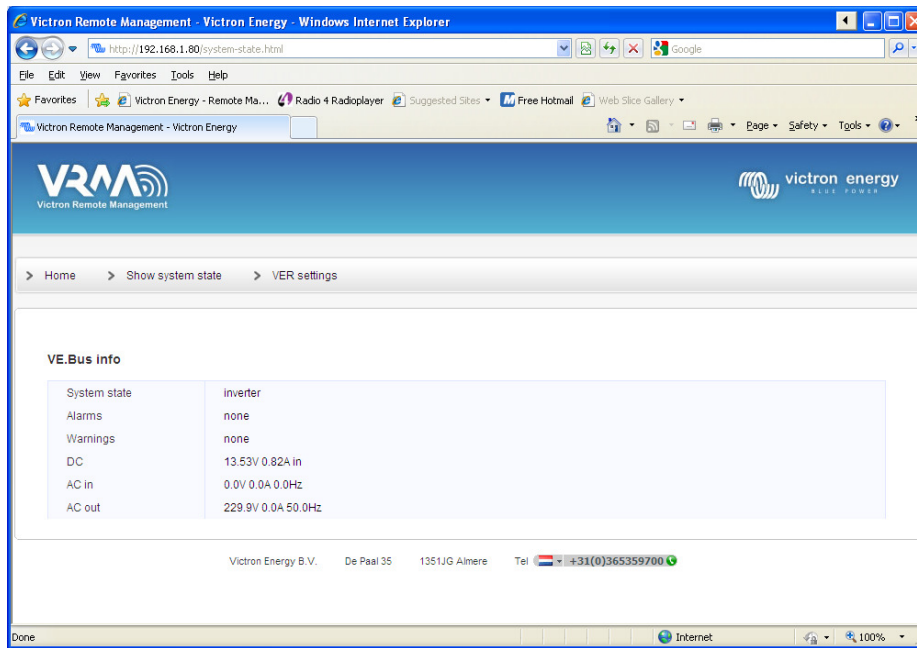
I detta läge övervakar du aktuella data via webb-gränssnittet. Någon internetanslutning krävs inte. Som standard tilldelas IP inställningarna automatiskt via DHCP protokoll. De aktuella IP inställningarna visas med hjälp av VGR Configure programmet.

Tips: Be din nätverksadministratör att konfigurera DHCP servern så att den alltid lämnar samma IP adress för din VER. Ethernet MAC adressen (6 hexadecimal bites åtskilda av colon) finns på modemets undersida. Ett annat alternativ är att tilldela en statisk IP adress med hjälp av VGR Configure programmet.

Öppna en webbläsare på PC:n, skriv in IP adressen för din VER i webbläsarens adressfält och startsidan för VER kommer upp. Till exempel:



För att övervaka anslutna enheter till VER klicka på **Show system state**. Exempelvis:



The screenshot shows a web browser window displaying the Victron Remote Management (VRM) interface. The browser's address bar shows the URL `http://192.168.1.80/system-state.html`. The page features the VRM logo and the Victron Energy logo. A breadcrumb trail indicates the current location: `Home > Show system state > VER settings`.

The main content area is titled "VE.Bus info" and contains a table with the following data:

System state	Inverter
Alarms	none
Warnings	none
DC	13.53V 0.82A in
AC in	0.0V 0.0A 0.0Hz
AC out	229.9V 0.0A 50.0Hz

At the bottom of the page, contact information is provided: "Victron Energy B.V., De Paal 35, 1351JG Almere, Tel: +31(0)365359700".

För att visa aktuella VER inställningar klicka på **VER settings**. Exempelvis:



Obs: Sidorna uppdateras automatiskt var 5e minut.

3.1.1 Ändra VER inställningarna med webb gränssnittet.

För att konfigurera VER gå till VER Settings och tryck på motsvarande *Update* knapp. Du kommer att bli ombedd att ange användarnamn och lösenord. Standard användarnamn är **admin** med lösenord **victron_vrm**.

För att ändra dessa standardinställningar använd VGR Configure programvara. Det är också möjligt att förbjuda uppdatering av VER inställningarna via webb gränssnittet: Välj *No authentication*.

Obs: För att konfigurera statiska IP inställningar med hjälp av webb gränssnittet, ange först adressuppgifter för statiskt IP, ställ sedan in "obtain an IP automatically" på *off* och därefter tillämpa dessa inställningar genom att trycka på *Update* knappen.

EN

NL

FR

DE

ES

SE

3.2 Webb läge

Som standard försöker Ethernet Remote att regelbundet logga data till den centrala webbplatsen <https://vrm.victronenergy.com>, för att hämtas senare. För att göra detta måste Ethernet Remote kunna ansluta till internet via det lokala nätverket eller via GPRES nätverket.

För att se denna data gå till <https://vrm.victronenergy.com> och lägg upp ett konto. När du har loggat in klicka på "Add a site link" vill vänster, ange serienumret på din VER i avsedd ruta och klicka sedan på knappen "Add site button". Din enhet kommer nu att listas överst på sidan. Du kommer förmodligen att vilja ändra beskrivningen på enheten till något mera meningsfullt.

Tips: Du kan lägga till flera enheter på samma konto.

Klicka på enhetsbeskrivningen överst till vänster för att se data.

Obs: Fråga din nätverksadministratör om du behöver en HTTP proxyserver för att få åtkomst till webbsidorna på internet. Om så är fallet måste du konfigurera HTTP proxyservern med hjälp av VGR Configure verktyget.

3.3 SNMP

SNMP (Simple Network Management Protocol) är aktiverat som standard. SNMPv1 och SNMPv2c stöds båda. System MIB (RFC1213) och UPS MIB (RFC1628) stöds också.

UPS MIB stöds

1. Identifikationsgrupp för enheter
2. Batterigrupp
3. Indatagrupp
4. Utdatagrupp
5. Alarmgrupp
6. Konfigurationsgrupp - upsConfigLowBattTime enbart (låg batteritid)
7. Meddelanden (ex.vis fällor)

All väsentlig information beträffande UPS MIB är tillgänglig när VER är anslutet till VE.Bus system. Man kan erhålla denna information med hjälp av tillgänglig SNMP Management Software (dvs. MIB Browser).

Inledande konfiguration av SNMP-relaterade parametrar bör göras med hjälp av VGR Configure programvara. System MIB och UPS MIB variabler, som beskrivs nedan, kan även fastställas med hjälp av SNMP inställd drifttid. Alla inställningar lagras i flash och bevaras efter omstart.

3.3.1 SNMP gemensamma strängar

Konfigurera "read-only" och "read-write" **Community** strängar.

1. **RO Community** sträng används för åtkomst till "read-only" filer. Standard värde är *public* (offentlig).
2. **RW Community** sträng används för åtkomst till "read-write" filer. Standard värde är *private* (privat).

Community strängar bör vara de samma som för MIB webbläsare som du använder.

Community strängar bör bestå av tecken för utskrift och med en längd mindre eller lika med 32.

3.3.2 Variabler - System MIB

Konfigurera **sysContact**, **sysName** och **sysLocation** variablerna.

1. **sysContact** : Kontaktpersonens identifikation. Till exempel: Dave Hum dave@hum.com. Standardvärde är en tom sträng.
2. **sysName** : Domännamn. Till exempel: *UPS#1.almere.victronenergy.com*. Standardvärde är en tom sträng.
3. **sysLocation** : Fysisk adress. Till exempel: *Almere-Haven office, 2-nd floor*. Standardvärde är en tom sträng.

Hänvisning till rfc1213 för komplett beskrivning av variablerna.

3.3.3 Variabler - UPS MIB

Konfigurera **upsidentName**, **upsidentAttachedDevices** och **upsConfigLowBattTime** variablerna.

1. **upsidentName** : sträng som identifierar UPS. Till exempel: *UPS med en röd etikett*. Standardvärde är en tom sträng.
2. **upsidentAttachedDevices**: Anslutna enheter. Exempelvis: *Nöje, Kylskåp*. Standardvärde är en tom sträng.
3. **upsConfigLowBattTime** : uppskattat kvarstående antal minuter tills "Low battery" (lågt batteri) anges. Detta värde beror på ändamålet med systemet och ställs in individuellt. Standardvärdet för **upsConfigLowBattTime** är 0.

Hänvisning till rfc1628 för komplett beskrivning av variablerna.

3.3.4 Fällor

Fällor används för att meddela SNMP Management Software om betydande förändringar i systemet dvs. anslutning till VE.Bus systemet går förlorad, systemet är inte igång, olika alarm har inträffat som 'Battery is low', eller 'Battery is depleted (batteri tömt)' eller 'Input is bad (laddning undermålig)', systemstatus har förändrats som "System on battery (batterysystem)" eller 'System Off' (systemet avstängt).

Använd alla tillgängliga SNMP verktyg för att ta emot fällor.

Konfigurera följande parametrar för fällor.

1. **Trap Community** sträng. bör vara detsamma som för lyssnare på fällor. The default value for **Trap Community** är *public* (offentligt). **Trap Community** strängar bör bestå av tecken för utskrift och med en längd mindre eller lika med 32.
2. **Trap Destination IP** – IP adressen i din PC där trap avlyssnas är igång. Som standard är inga **Trap Destinations (trapdestinationer)** konfigurerade.
3. **Trap Destination Port** – UDP porten där trap avlyssnas är igång. Standardvärde för **Trap Destination Port** är 162.

3.4 SMS (tillval)

SMS-läget är tillgängligt om SIM-kortet är installerat och Ethernet Remote är registrerat i GSM nätverket.

SMS-läget används för att skicka kommandon från en mobiltelefon eller andra kompatibla enheter med hjälp av SMS (Short Message Service) också kallade textmeddelanden. För information om hur man gör för att skicka ett SMS hänvisas till manualen för din mobiltelefon.

Med ett textmeddelande kan du fråga Ethernet Remote efter aktuellt status för anslutna VE.Bus enheter eller BMV. Textmeddelande kan också användas för att konfigurera Ethernet Remote.

Förutom att skicka information på begäran kan VER konfigureras för att automatiskt skicka en varning då vissa händelser inträffar.

Meddelande via SMS:

- Kommandon är inte skiftlägeskänsliga så det spelar inte någon roll vilken kombination av versaler eller gemena bokstäver som används. Vissa parametrar (som ex.vis lösenord) kan vara skiftlägeskänsliga.
- Flera kommandon kan anges i ett enda textmeddelande. Flera kommandon kan specificeras för ett enda textmeddelande.
- Antalet SMS meddelande som modemmet sänder per dag är begränsat. Standard är 100 meddelanden. Inställningen kan ändras genom ett SMS kommando "sms limit" (sms begränsning).
- Vid behandling av SMS kommandon kommer modemmet att upphöra sända så snart det stöter på ett fel i kommandoformatet. Om ogiltiga kommandon redan har hittats, kommer de att utföras som normalt och i svaret kommer en indikation på vad felet bestod av. Men om budskapet inte innehöll något giltigt kommando, kommer inte något svar (detta för att förhindra stora räkningar förorsakade av att modemmet svarar på automatiserade meddelanden från ex.vis telemarknadsförare). Om det är nödvändigt för modemmet att svara (för att kunna avgöra att kommandot inte har behandlats) börja då textmeddelandet med *forcereply* - (*framtvingat svar*)).

3.4.1 Exempel

För att begära status för VE.Bus systemet, skicka

```
vebus
```

VER kommer då att svara med status för VEB.Bus systemet:

```
System: Växelriktare
alarm: inga
Varningar: Inga
DC: 26.51V 9.02A
AC i: 0V 0.0A 0Hz
AC ut: 229.8V 0.9A 50.0Hz
```

För att begära status för en ansluten BMV, skicka:

```
batteri
```

Ethernet Remote kommer då att svara med aktuellt status:

```
Batteri: 26.51V, -0,15A
Nivå 99%, 0Ah
TTG: 240h
```

För att ändra loggningsperioden, skicka logg med den nya perioden, som exempel ställ in perioden på 2 minuter.

```
Log gperiod 2
```

Ethernet Remote kommer att svara med den nya inställningen och senaste logg:

```
LOGG
Period: 2min
Extra: av
Senaste logg: 1 minut och 53 sekunder sedan
```

3.4.2 SMS kommandoöversikt

Kommando	Parameter	Argument	Beskrivning
alert			Begär aktuell varningskonfiguration
alert	on		Möjliggör varningar och ställer in antalet varningar på numret för den enhet som har skickat meddelandet (upp till 5 olika nummer kan anges)
alert	off		Inaktiverar varningar för nummer.
alert	state	on	Från release 2.02. Möjliggör rapportering av tillståndsändringar i systemet (på batteri/AC ström på); Detta kommer att fungera om varningarna är på.
alert	state	off	Från release 2.02. Inaktiverar rapportering av tillståndsändringar (på batteri/AC ström på). Detta är en standardinställning.
battery			Begär information om batteriet.
gsm			Begär informaton om GSM nätverksanslutningen, inklusive signalstyrka.
ip	eth		Begär aktuell IP inställning för Ethernet
ip	eth dhcp	on	Aktiverar automatisk IP konfigurering via DHCP
ip	eth dhcp	off	Inaktiverar automatisk IP konfigurering via DHCP
ip	eth addr	<value>	Ställer in statisk IP adress
ip	eth mask	<value>	Ställer in subnet mask
ip	eth gw	<value>	Ställer in standard gateway
ip	eth dns1	<value>	Ställer in primär DNS server
ip	eth dns2	<value>	Ställer in sekundär DNS server
log			Begär nuvarande loggningsperiod för webbinställningen.
log	period	<period>	Ställer in loggningsperioden för webbinställningen (i minuter)
log	extra	on	Från release 2.02. Möjliggör att skicka mer data till loggnings webbservern när alarm/varningar i VE.Bus systemet inträffar.
log	extra	off	Från release 2.02. Möjliggör att skicka mer data till loggnings webbservern när alarm/varningar i VE.Bus systemet inträffar. Detta är en standard inställning.
sms			Begär mängden SMS meddelande som skickats och begränsning.
sms	limit	<limit>	Ställer in maximum SMS meddelande per dag.
sms	reset		Återställer räknaren till noll för att tillåta nya svar.
vebus			Begär information om VE.Bus systemet.
vgr			Begär information om versionsnummer för VER.

4 Remote VEConfigure

Alla omvandlare, multiomvandlare/laddare och Quattro-enheter som kan konfigureras med vår programvara ConfigureII kan också fjärrkonfigureras med VGR och enVER.

För detaljerad information om proceduren se manualen Remote VEConfigure på vår webbplats, www.victronenergy.com. Leta rätt på dokumentet genom att skriva in "remote VEConfigure" i sökrutan högst upp till höger.

Observera att proceduren kräver användning av SMS-meddelanden och en korrekt konfigurerad GPRS- eller Ethernet-anslutning. När du använder en Victron Ethernet Remote behöver du ett simkort i modemmet likväl som en Ethernet-anslutning.

EN

NL

FR

DE

ES

SE

5 Felsökning

5.1 LED koder

Modem Status (röd LED)	Förklaring
Off (Av)	Ingen ström till modemmet.
Stadigt ljus	Modemet får ström men är inte anslutet till GSM nätet.
Blinkar långsamt	Anslutet till nätverket, men ingen trafik
Blinkar snabbt	Anslutet till nätet och samtal på gång

Ethernet länkstatus (grön LED)	Förklaring
Off (Av)	Ingen länk har upptäckts. Kontrollera kabelanslutningen.
On (På)	Länk har upptäckts. Obs: Ethernet har 10 Mbit/s

Ethernet länkaktivitet gul LED)	Förklaring
Off (Av)	Ingen aktivitet i Ethernet segmentet
Blinkar	Aktivitet i Ethernet segmentet

5.2 Vanliga problem

Problem: Modemet vill inte ansluta till GSM nätet

Tänkbara orsaker:

- PIN koden är inte aktiverad på SIM kortet. Kontrollera genom att sätta SIM kortet i en vanlig telefon och slå på det. Då du slår på telefonen skall det **inte** fråga efter pin-koden, inte ens 0000. Lösning: Stäng av säkerheten.

- Ingen mottagning på nätet, försök genom att ändra plats för modemmet eller använd en annan antenn. Försök att slå på modemmet på en plats där du har fullgod mottagning med normal GSM telefon. Du kan testa detta utan att Multi eller BMV-602 är anslutna.

- SIM luckan på modemmet är inte stängd på rätt sätt: Se till att stänga den svarta sliden över SIM kortet.

Problem: Jag får ett SMS meddelande som säger "Varning MK2 version [versionsnummer] stöds inte".

Orsak: Lägst stödd MK2 version är 1130125. Använd den MK2 som följde med Ethernet Remote. Du kan också ansluta MK2 till en dator som använder den senaste versionen av VEConfigure som då kommer att uppdatera den automatiskt.

Problem: Jag får ett SMS meddelande som säger "Varning målversion [versionsnummer] stöds inte".

Orsak: Lägst stödd version av VE.Bus enhet är 19xx111.

Problem: VE Bus enheten (Multi/Inverter/Quattro) kopplar ifrån när jag ansluter den till MK2.

Orsak: 2 byglar på MK2 måste tas bort. Lägg märke till: Dessa byglar har redan tagits bort på den MK2 som medföljde Victron Ethernet Remote.

6 Specifikationer

Victron Ethernet Remote (VER)	
Spänningsintervall för strömförsörjning	5.5 till 32VDC
Nuvarande strömförbrukning (max)	0.48A @ 5.5VDC
Driftstemp. Område	-30 °C till 75 °C
HÖLJE	
Mått	73 x 54,5 x 25,5
Vikt	89 gram
LAN	
Standarder som stöds	IEEE 802.3, 10Base-T
Anslutningstyp	Skärmning RJ-45
USB	
Standard som stöds	USB 2.0
Anslutningstyp	Mini-B

EN

NL

FR

DE

ES

SE

Victron Energy Blue Power

Distributor:

Serial number:

Version : 04
Date : 6 February 2013

Victron Energy B.V.
De Paal 35 | 1351 JG Almere
PO Box 50016 | 1305 AA Almere | The Netherlands

General phone : +31 (0)36 535 97 00
Customer support desk : +31 (0)36 535 97 03
Fax : +31 (0)36 535 97 40

E-mail : sales@victronenergy.com

www.victronenergy.com